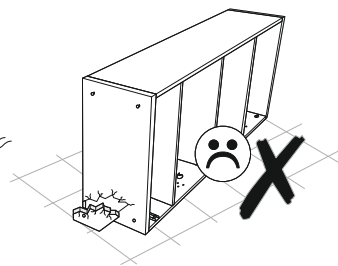
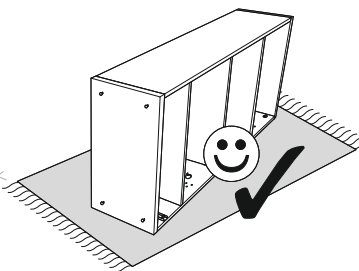
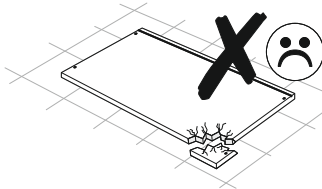
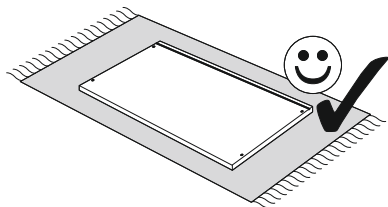
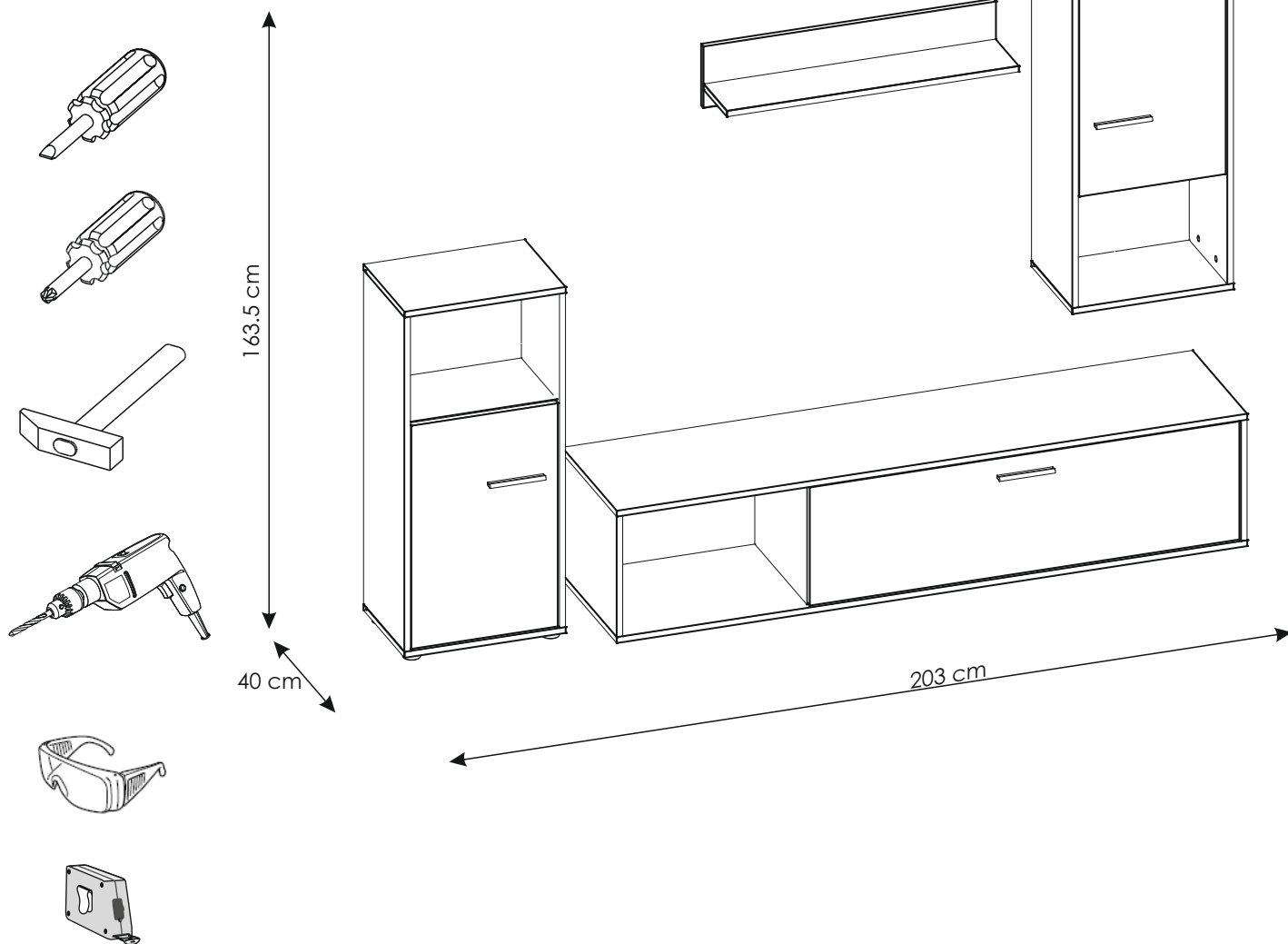
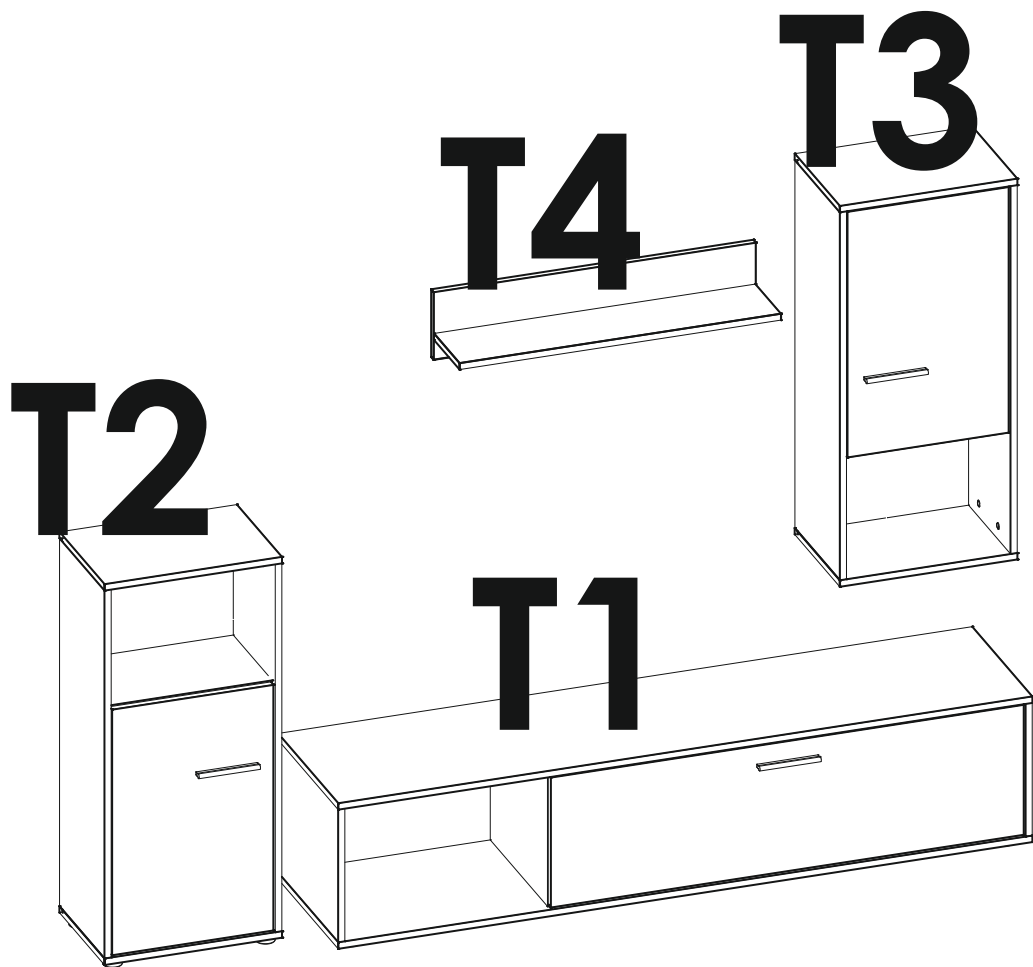
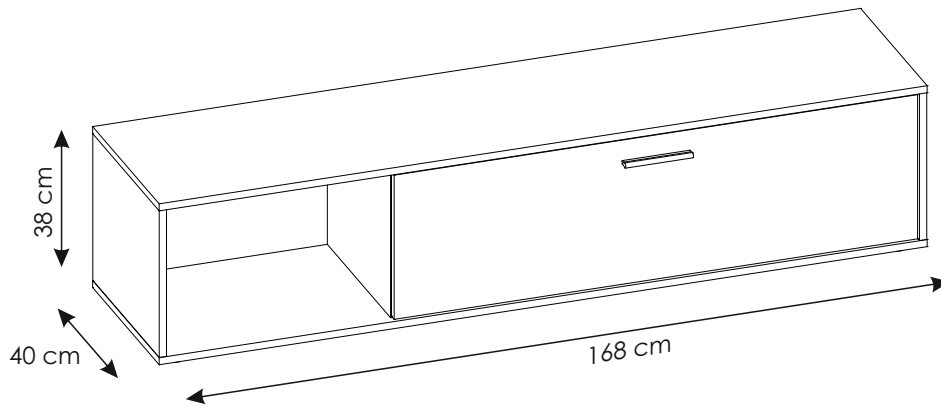


3h







MM

260

250

240

230

220

210

200

190

180

170

160

150

140

130

120

110

100

90

80

70

60

50

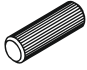
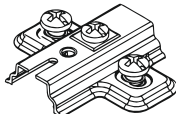


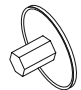

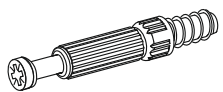
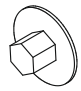
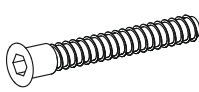
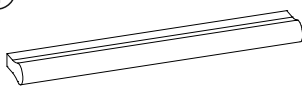



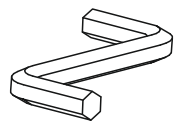
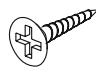
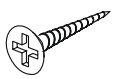
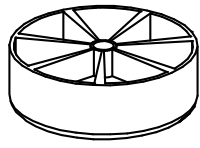
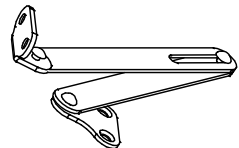
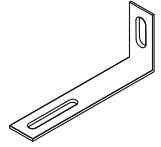
40

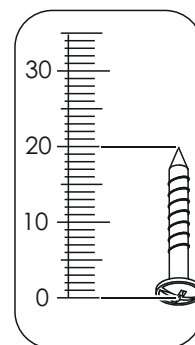
30

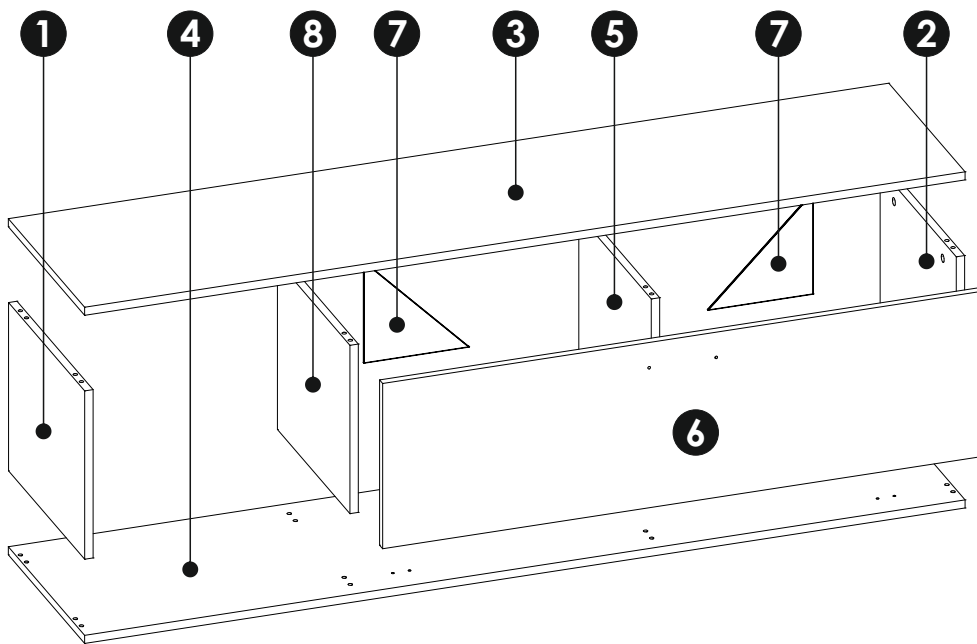
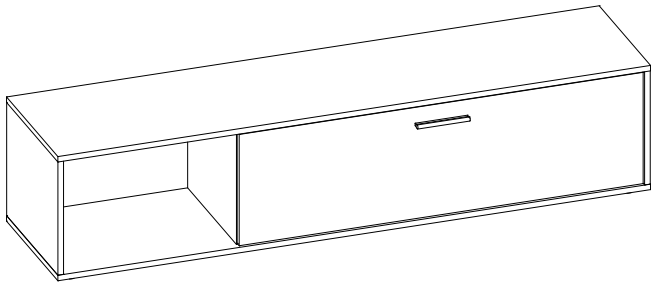
20

10

0

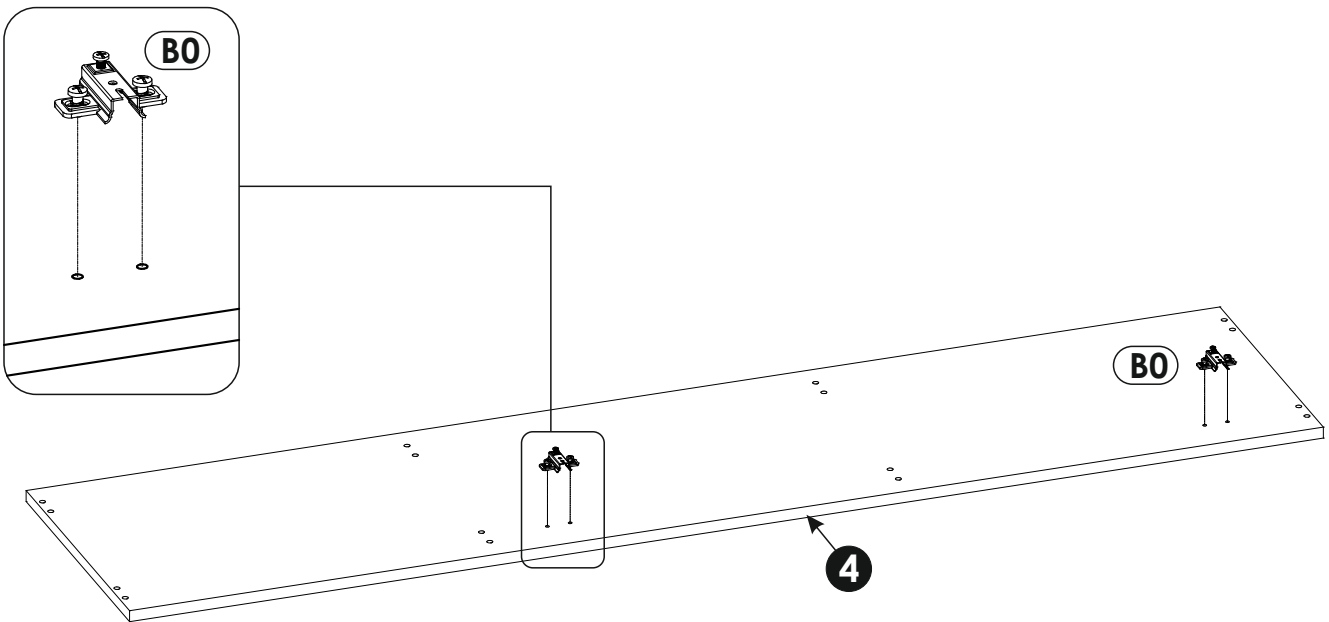
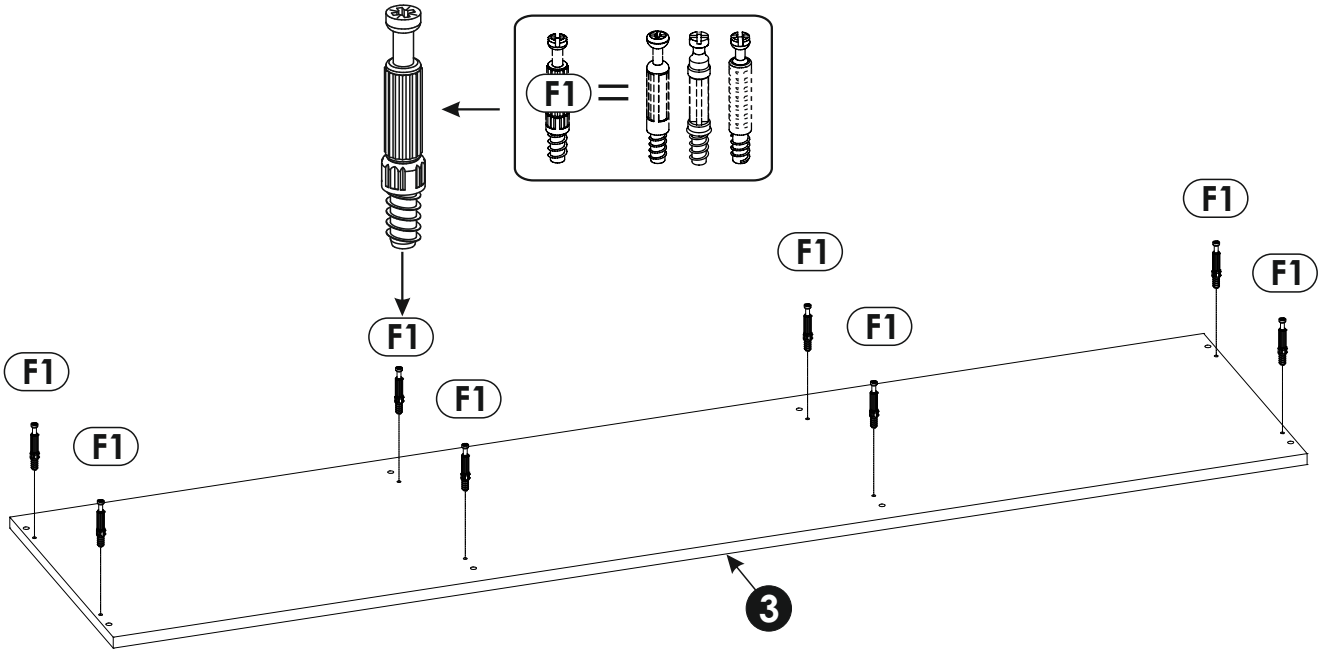
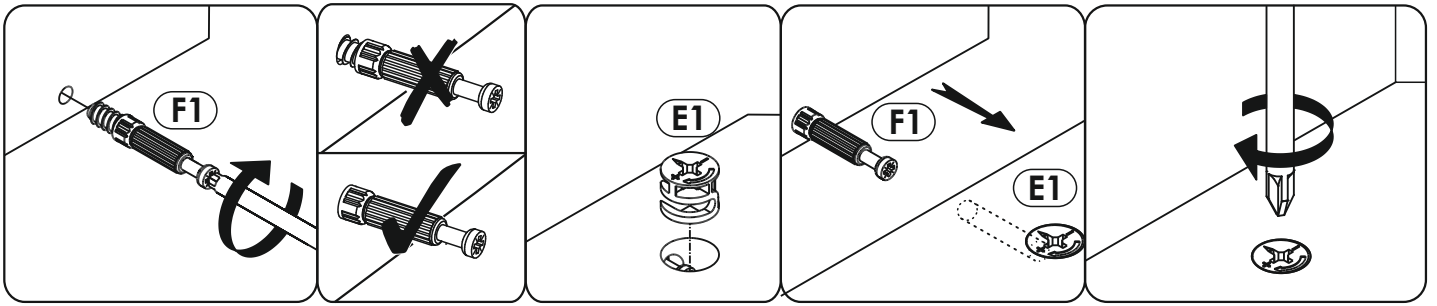
A1 8 x 35 mm x16 	B0  x2	B3  x2
C1 4 x 13 mm x4 	E0  x8	E1 15 x 12 mm x8 
F1 6 x 34 mm x8 	G0  x8	G1 7 x 50 mm x8 
H1  x1	I2 4 x 16 mm x1 	I3 3,5 x 27 mm x2 
I10 3,5 x 22 mm x6 	M  x1	NO 3 X 13 mm x8 
N1 3 X 16 mm x10 	O3  x6	PB  x2
Q9  x1		



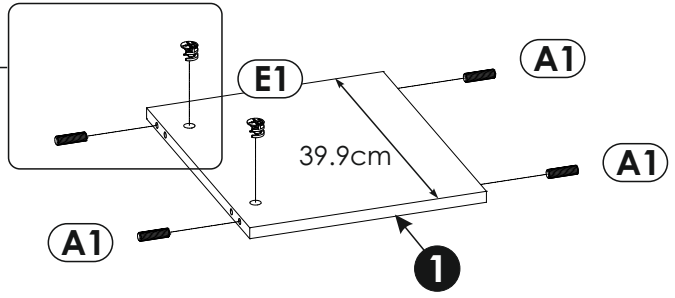
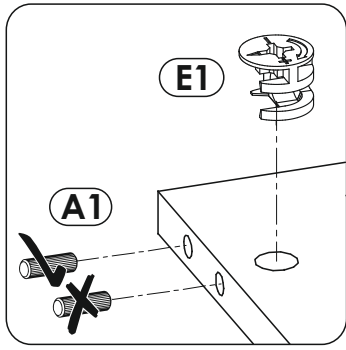


1	333	399	16	x1	2/2
2	333	399	16	x1	2/2
3	1680	400	16	x1	2/2
4	1680	400	16	x1	2/2

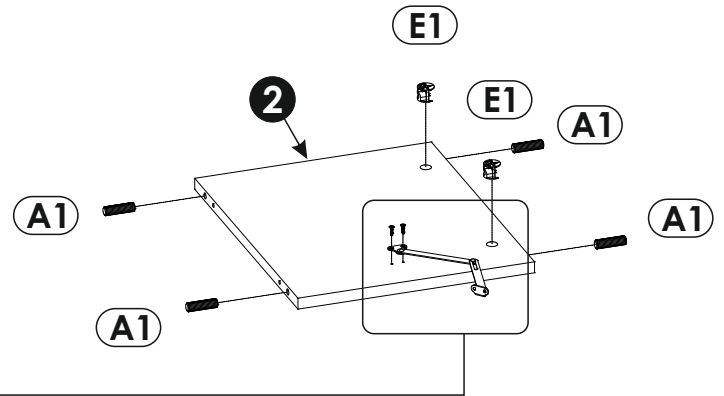
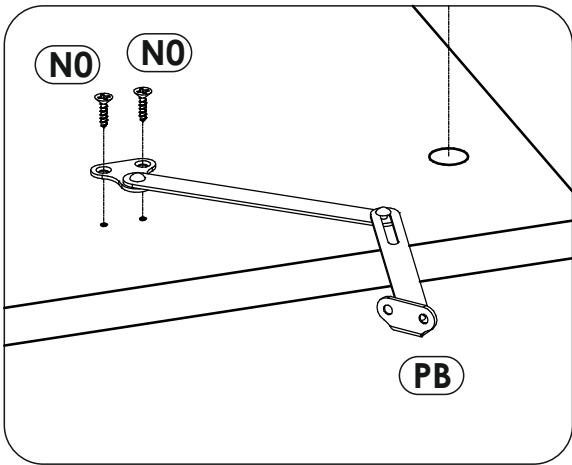
5	333	380	16	x1	2/2
6	1145	327	16	x1	2/2
7	200	200	3	x2	2/2
8	333	380	16	x1	2/2



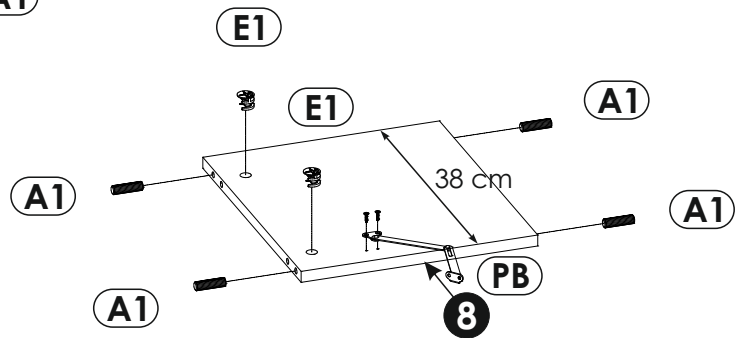
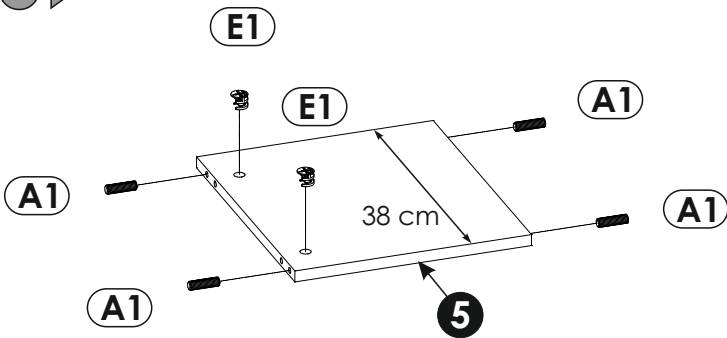
3▶



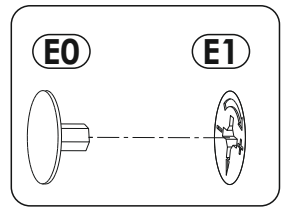
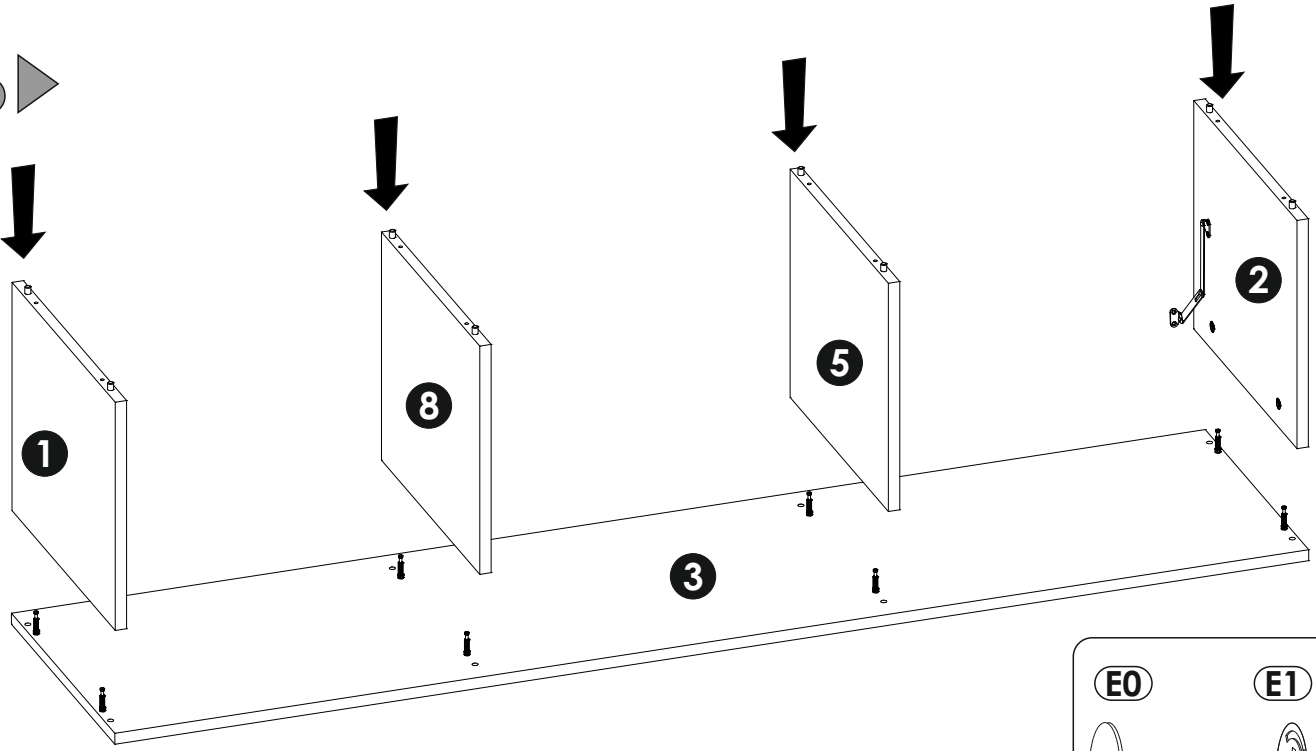
4▶



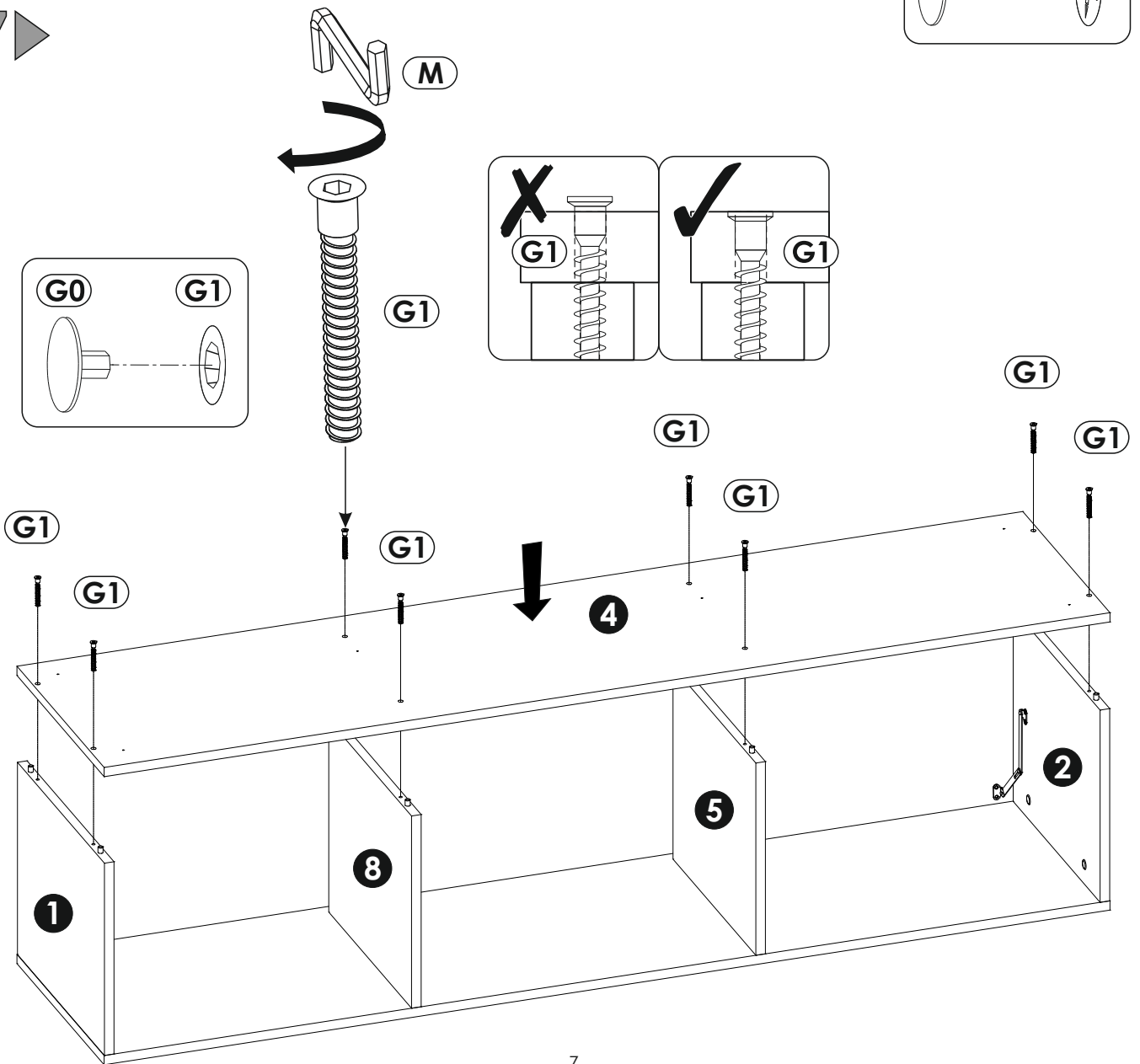
5▶



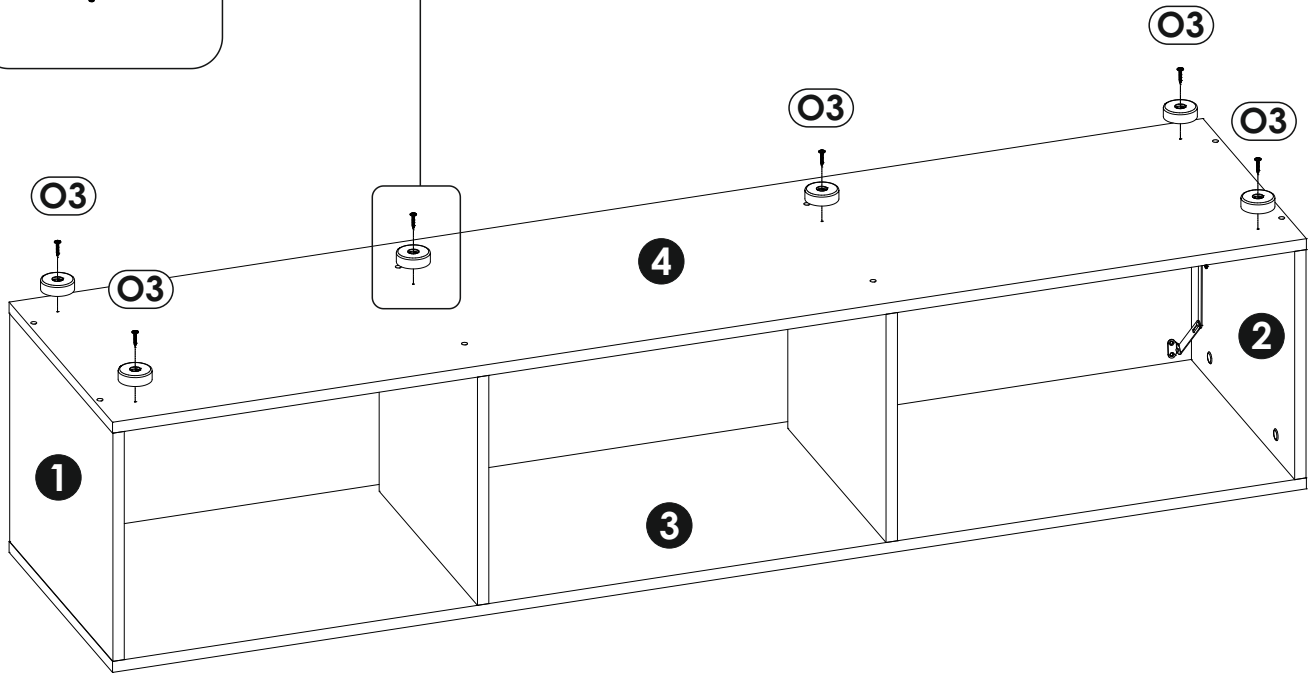
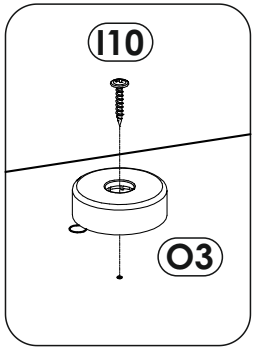
6 ▶



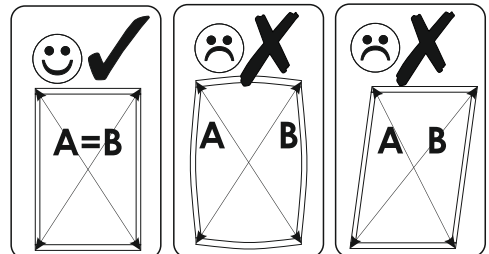
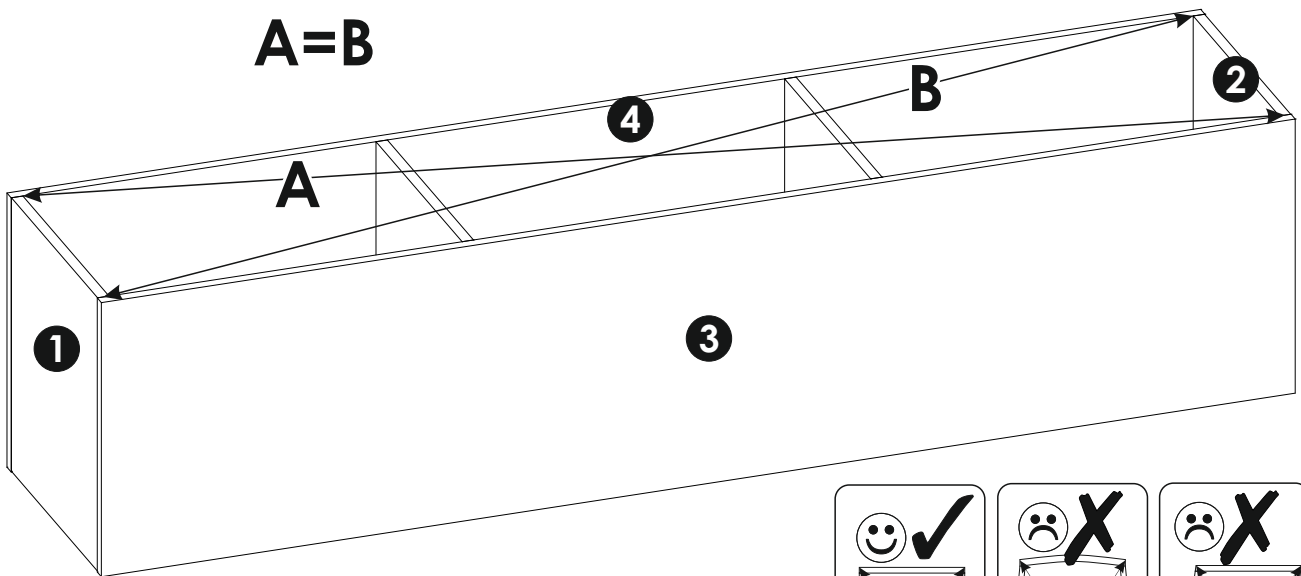
7 ▶



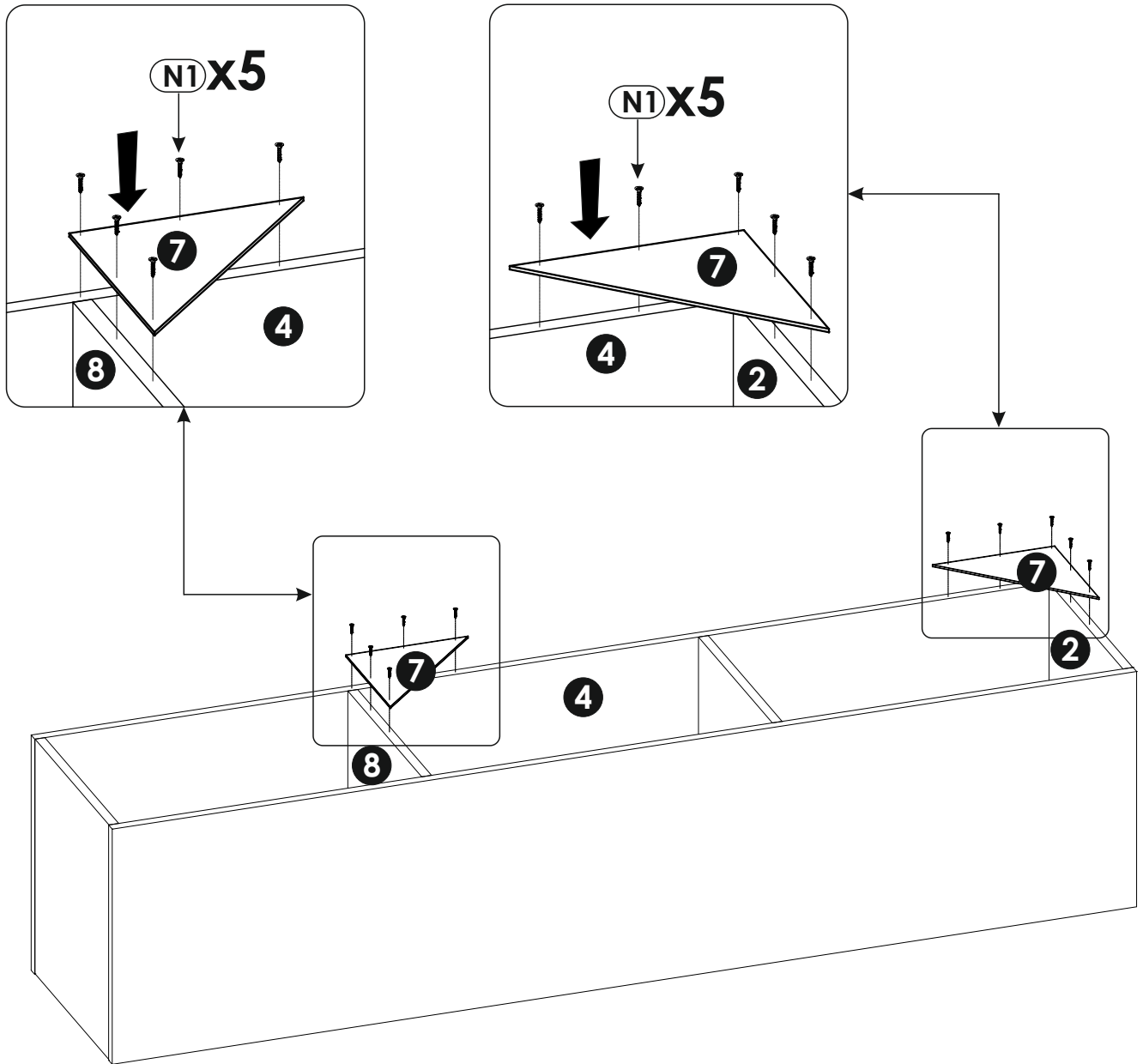
8 ▶



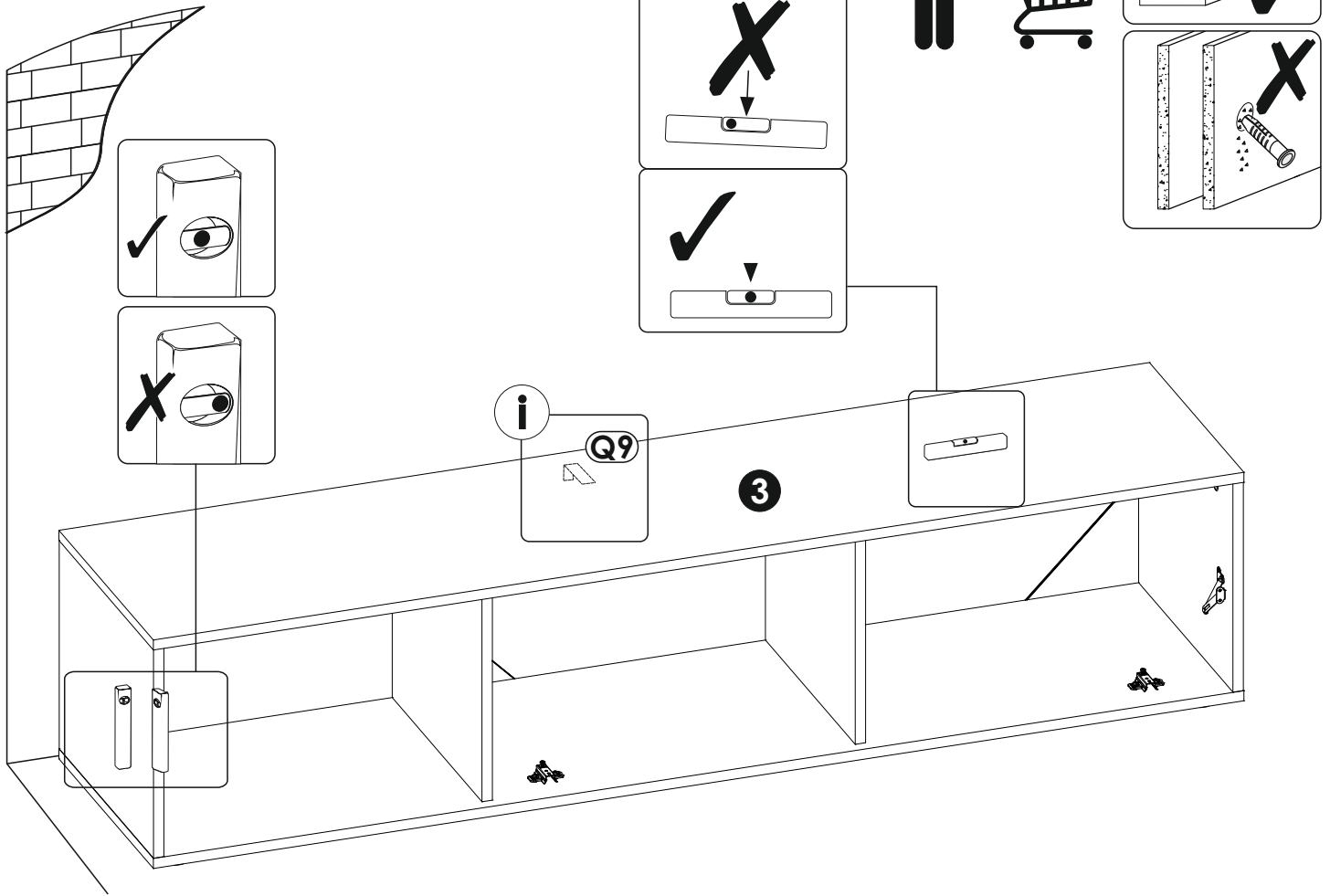
9 ▶



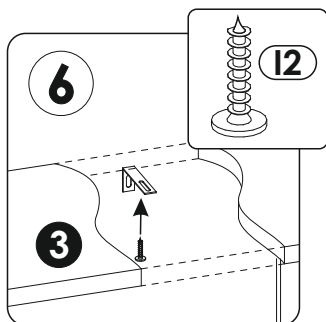
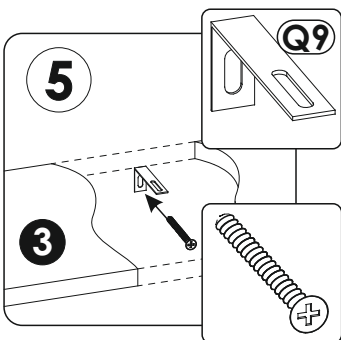
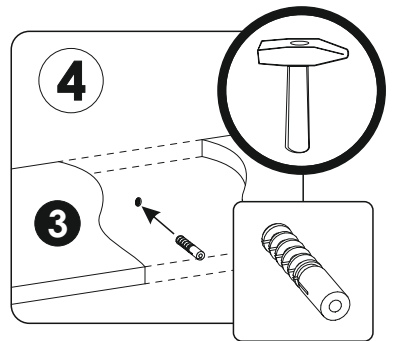
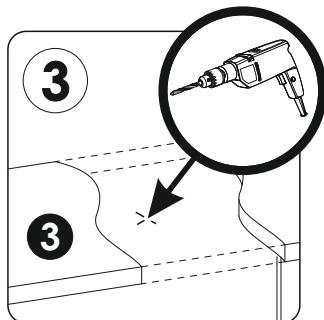
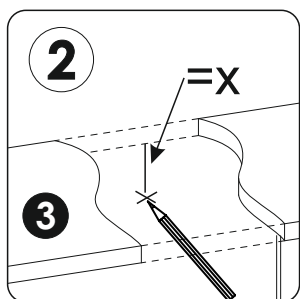
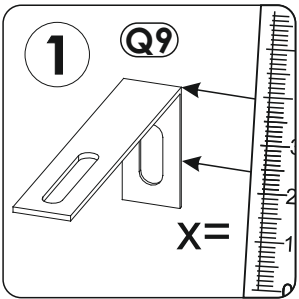
10▶



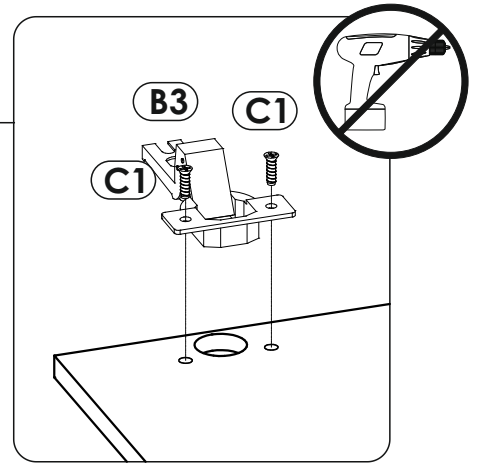
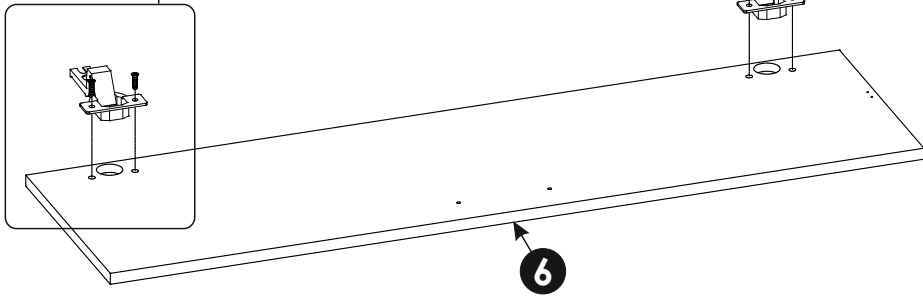
11 ▶



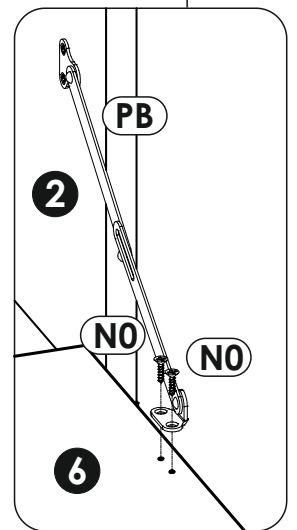
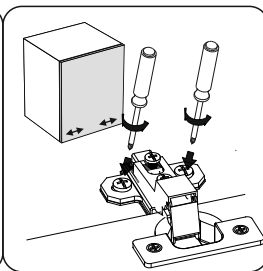
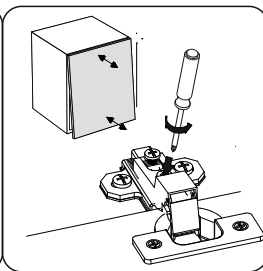
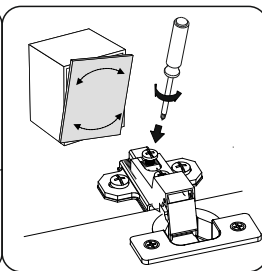
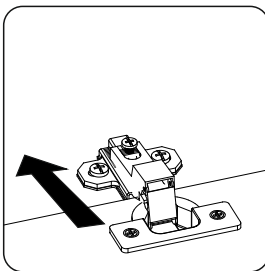
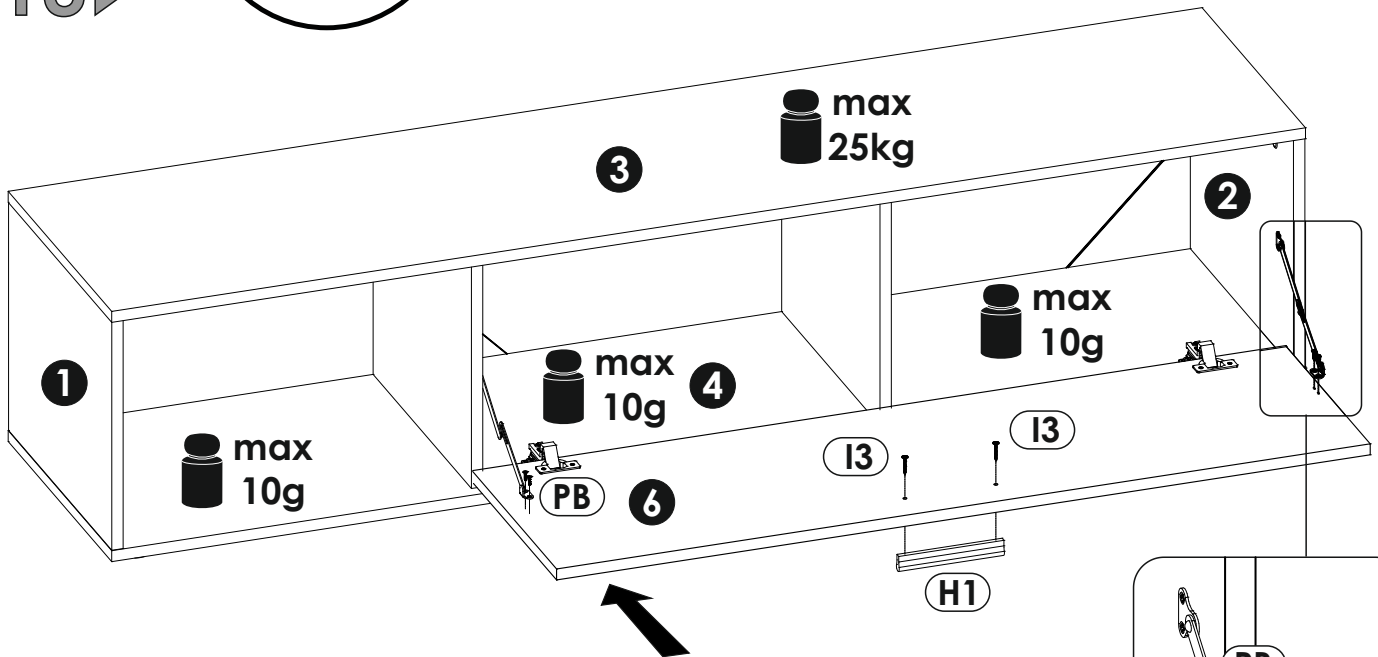
i

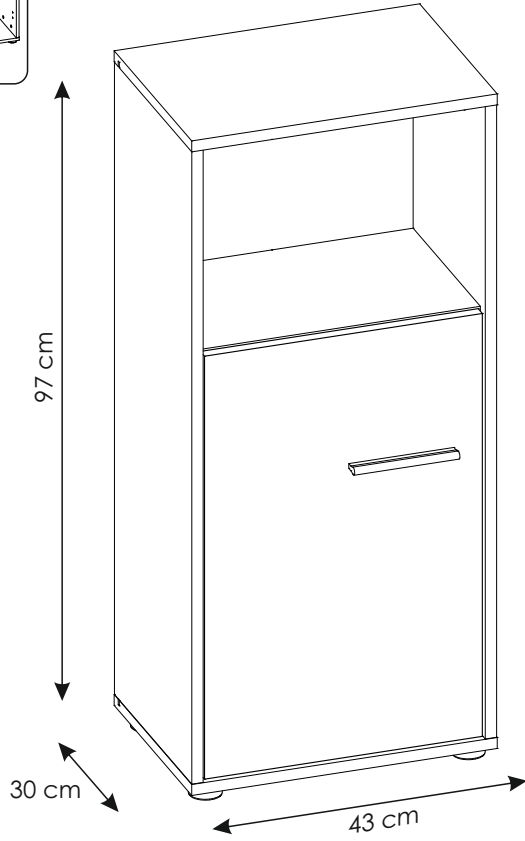
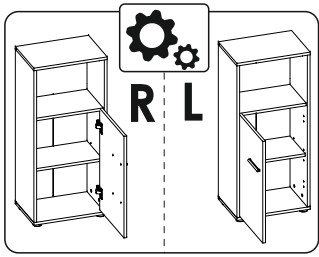


12▶



13▶





MM

260

250

240

230

220

210

200

190

180

170

160

150

140

130

120

110

100

90

80

70

60

50

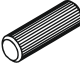
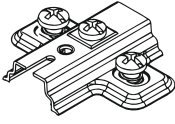


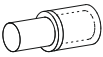
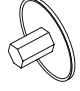
40


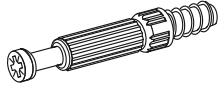




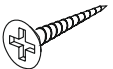
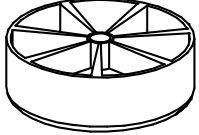
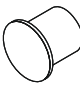
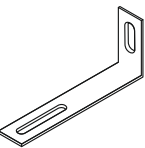
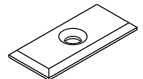
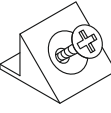
30

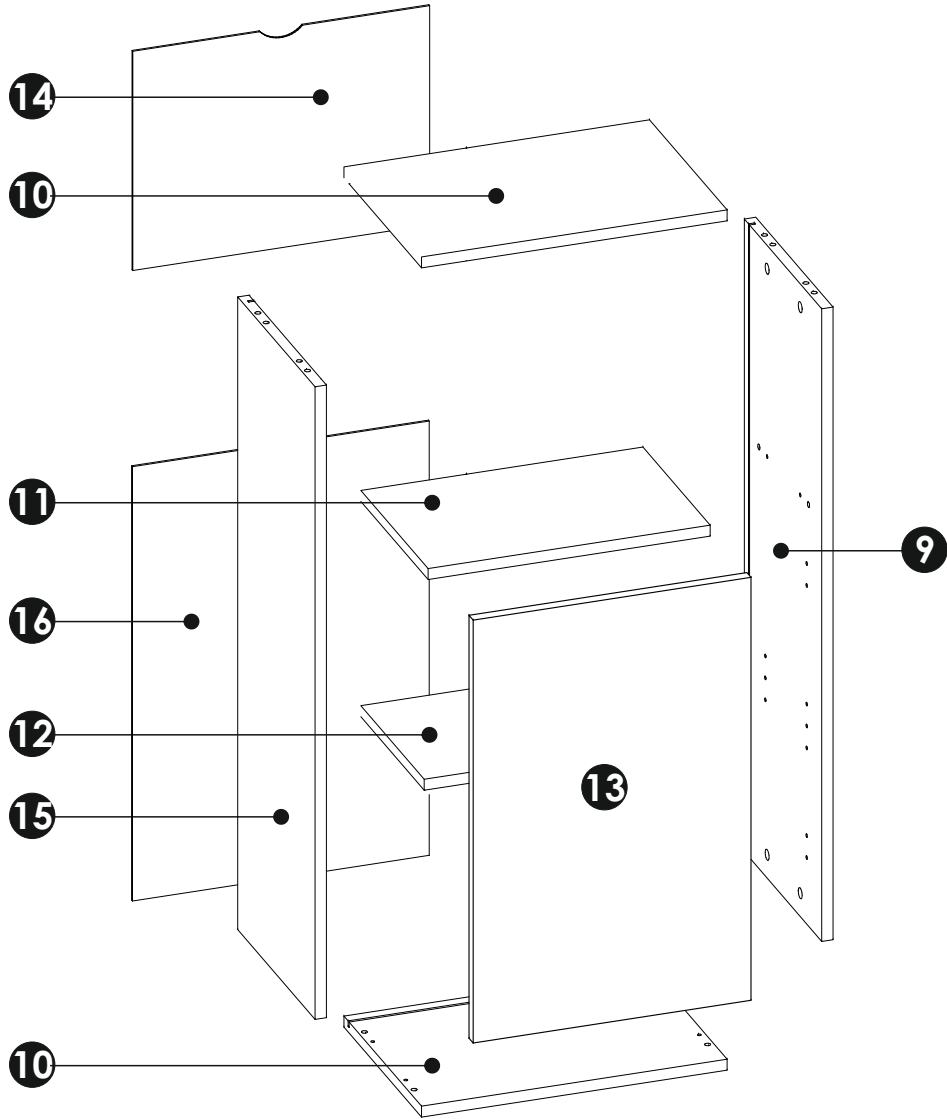
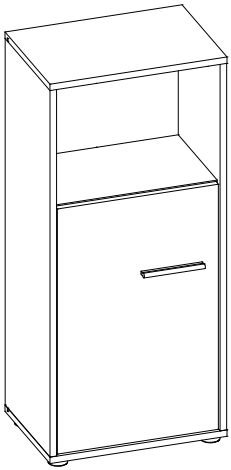
20

10

0

A1	8 x 35 mm	x12	
B0		x2	
B3		x2	
C1	4 x 13 mm	x4	
D2		x4	
E0		x12	

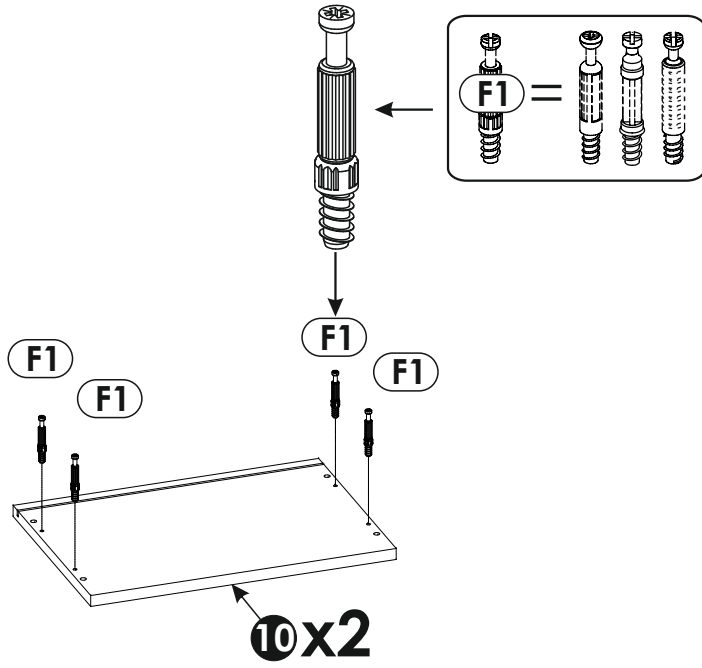
E1	15 x 12 mm	x12		F1	6 x 34 mm	x12		H1		x1	
I2	4 x 16 mm	x1		I3	3,5 x 27 mm	x2		I10	3,5 x 22 mm	x4	
N1	3 X 16 mm	x10		O3		x4		P0		x6	
Q9		x1		R1		x2		R4		x6	



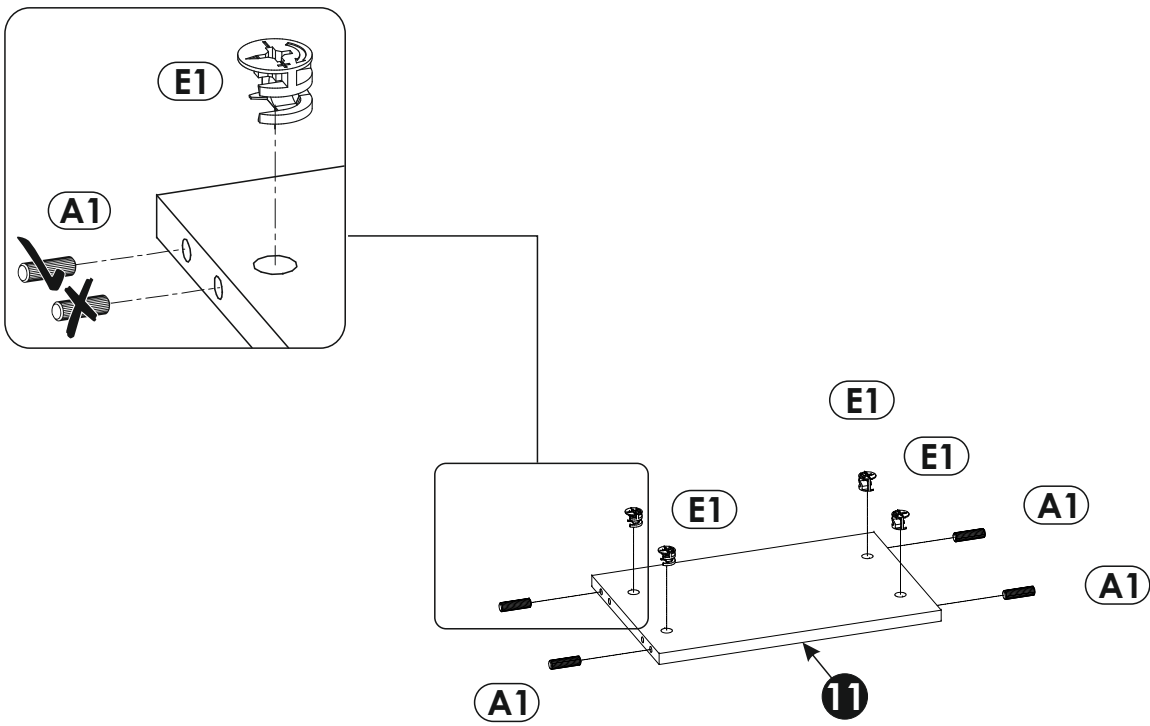
9	923	299	16	x1	1/2
10	430	300	16	x2	1/2
11	397	260	16	x1	1/2
12	397	245	16	x1	1/2

13	617	391	16	x1	2/2
14	314	410	3	x1	2/2
15	923	299	16	x1	1/2
16	622	410	3	x1	1/2

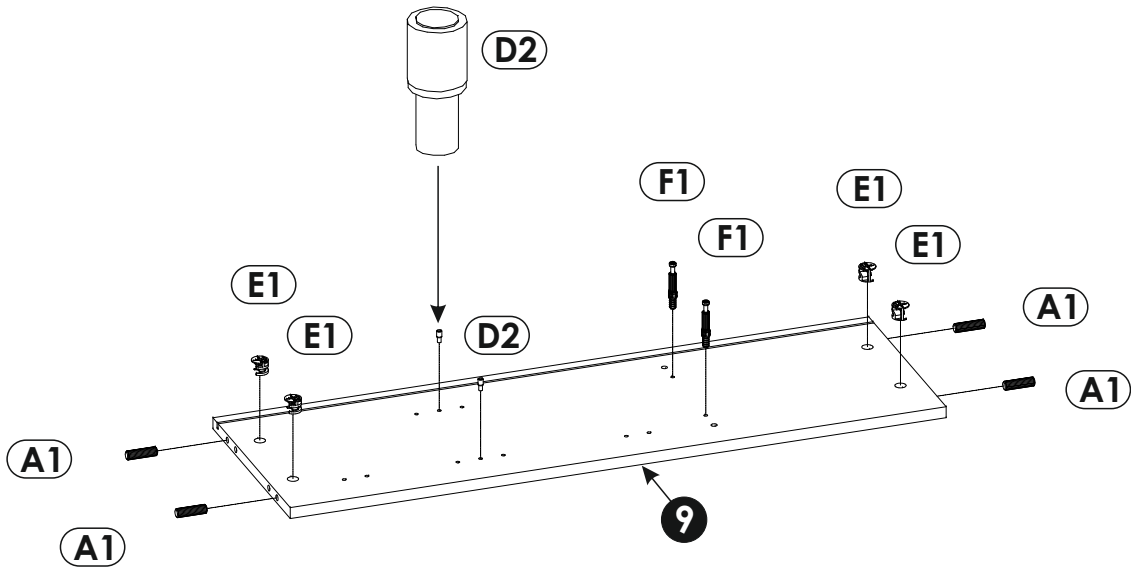
14▶



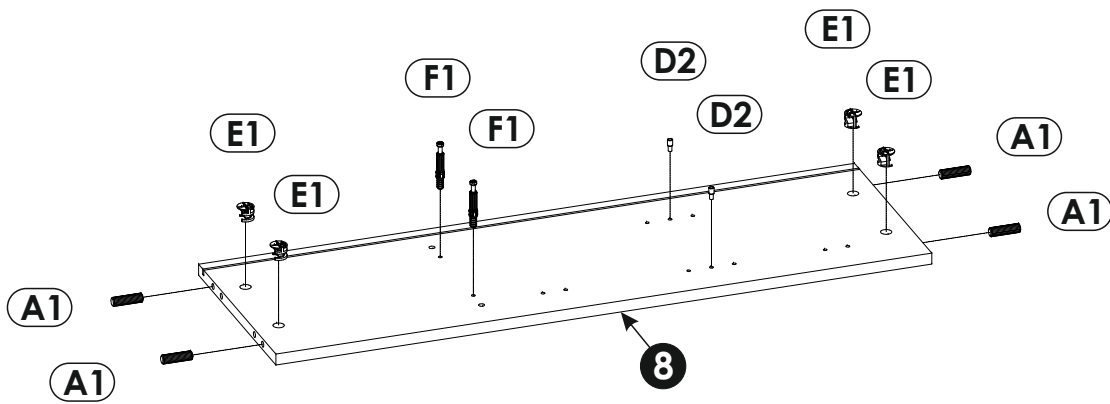
15▶



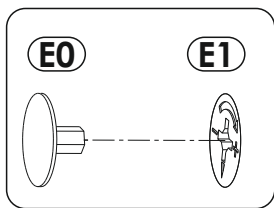
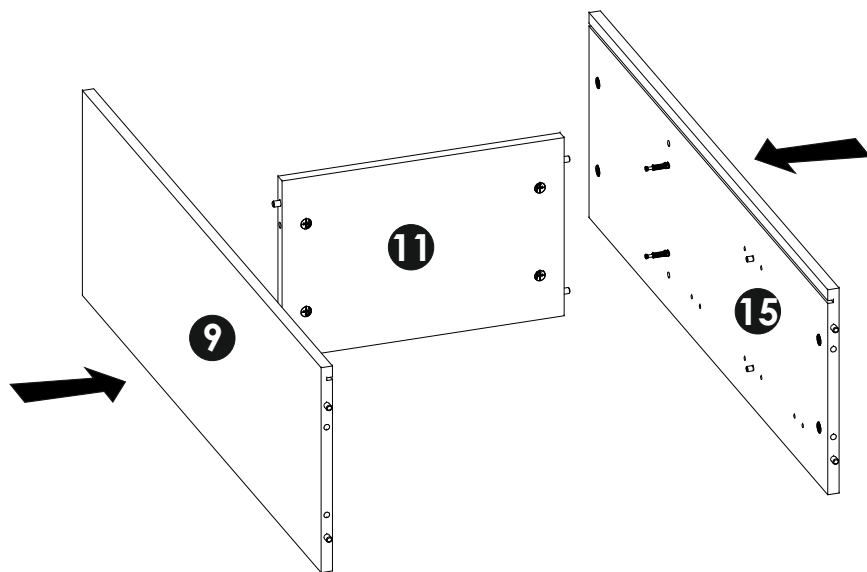
16▶



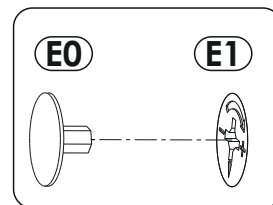
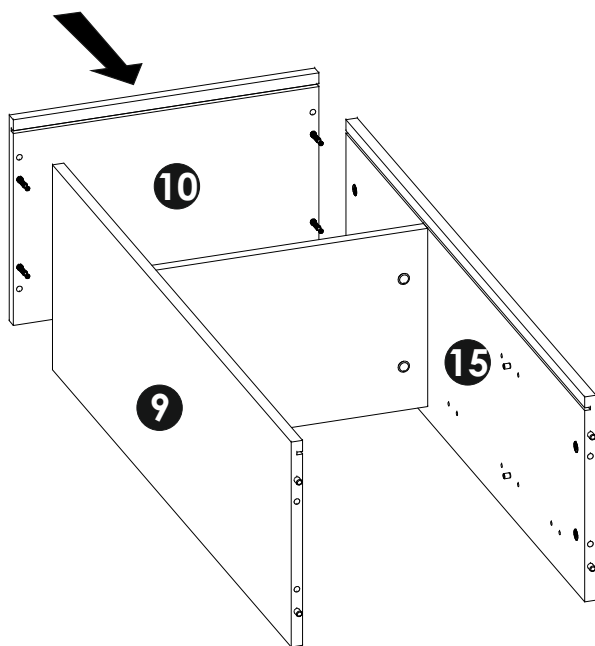
17▶



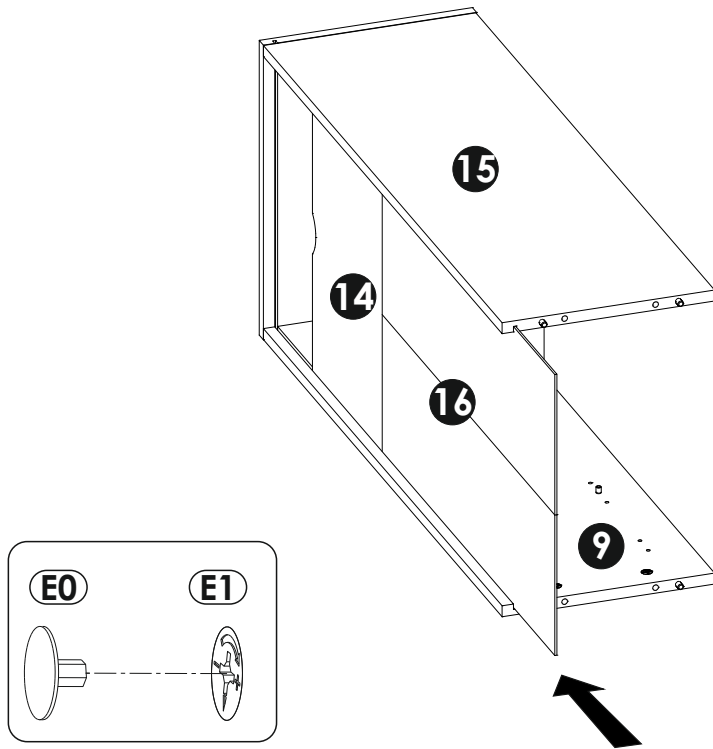
18▶



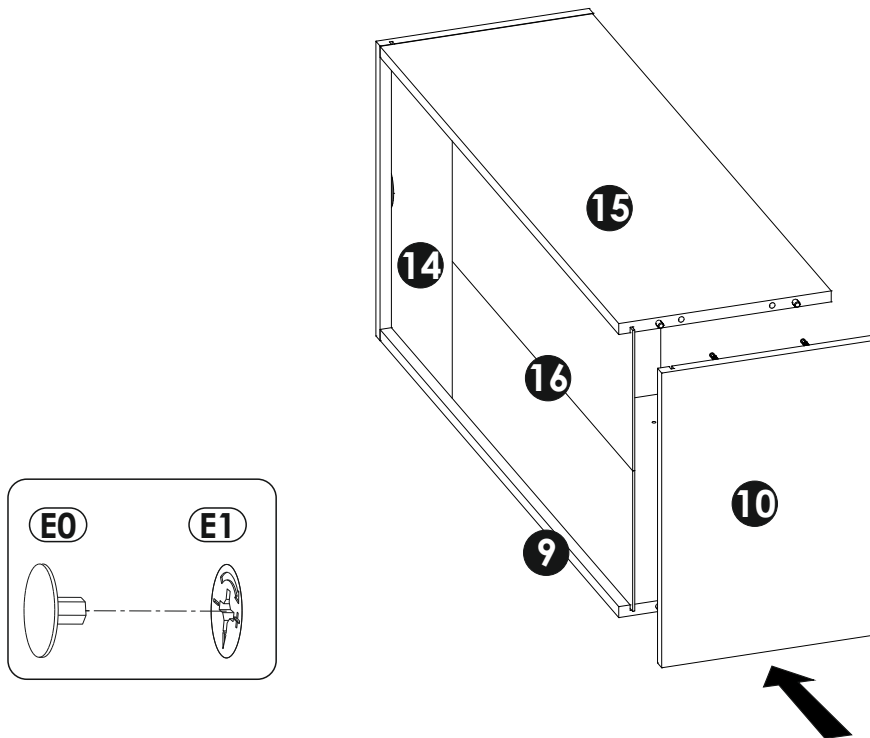
19▶

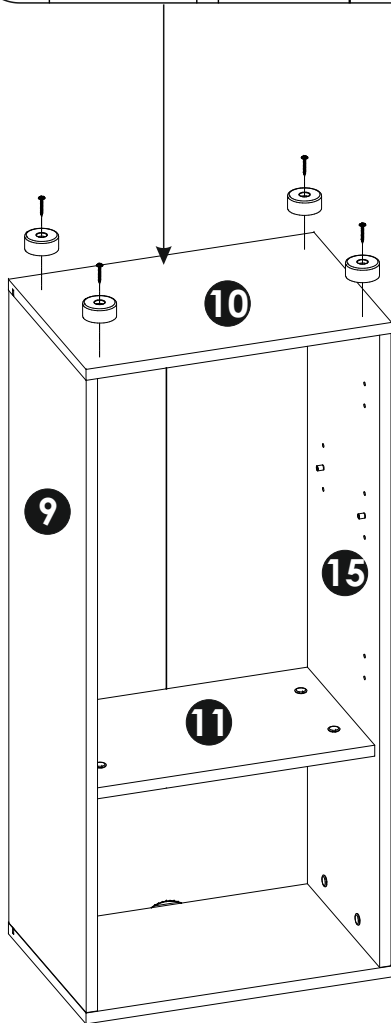
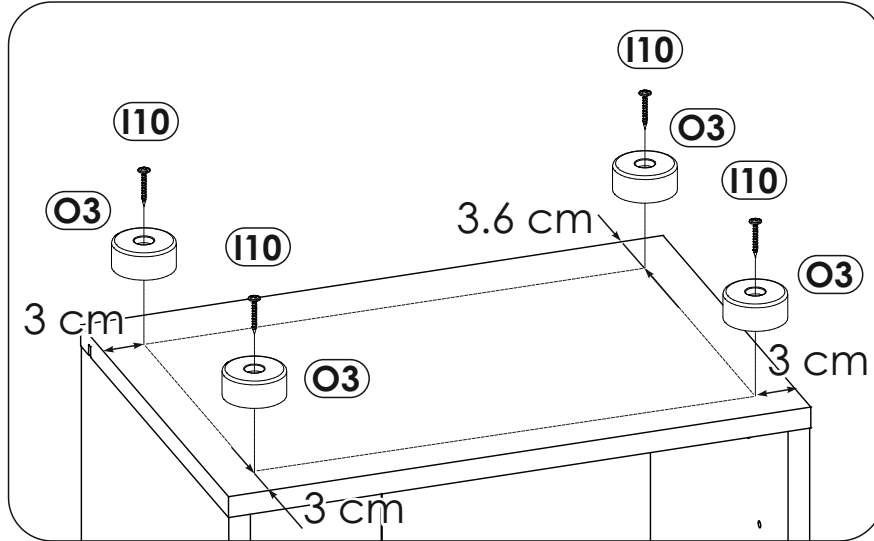


20 ▶

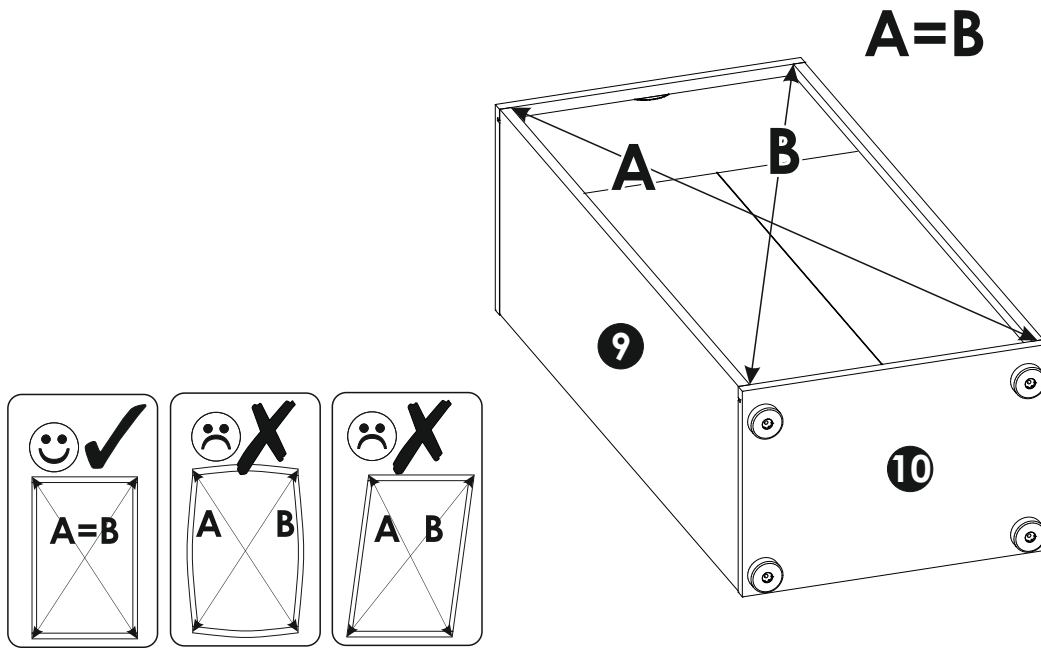


21 ▶

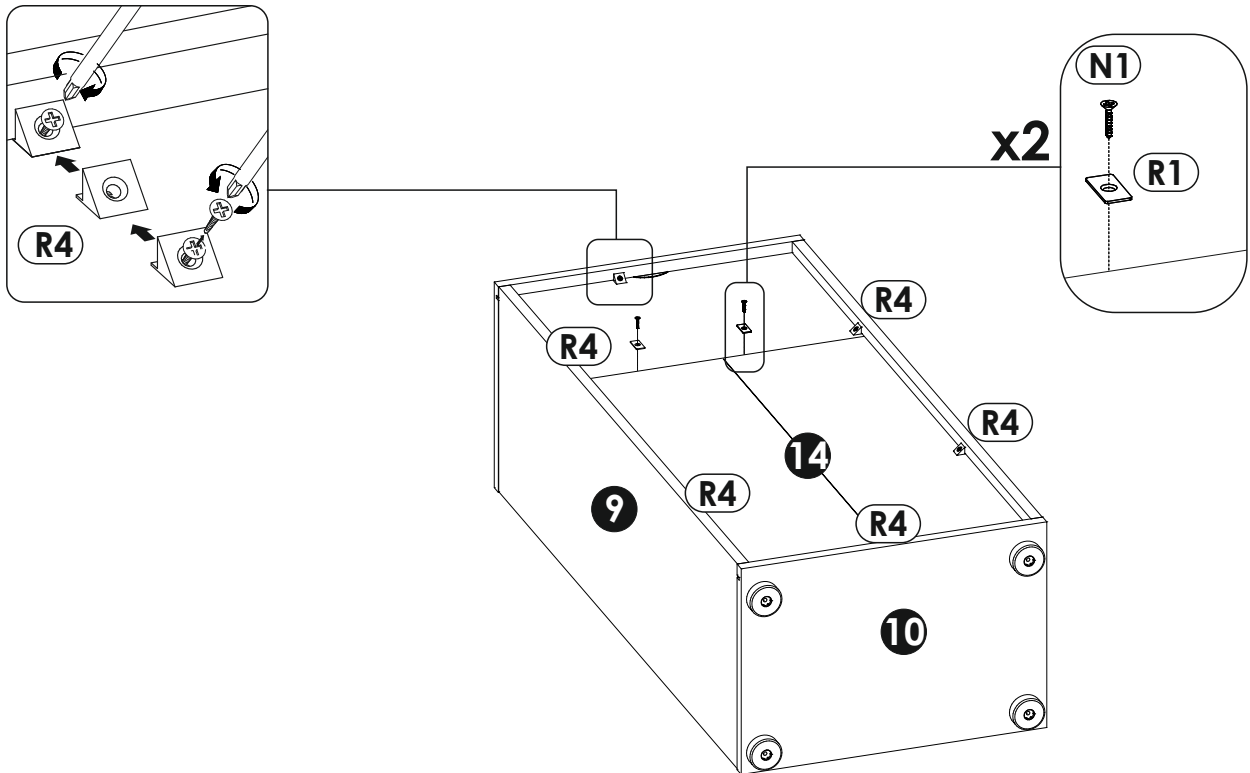




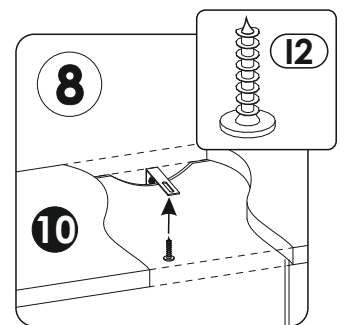
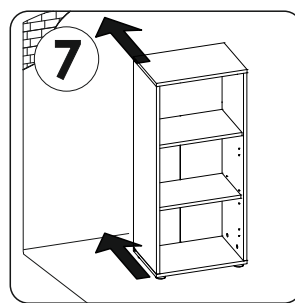
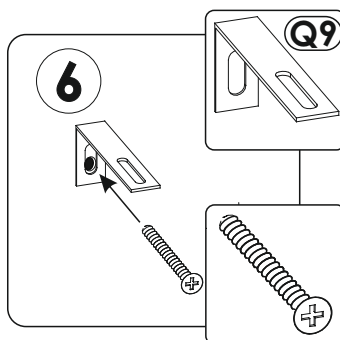
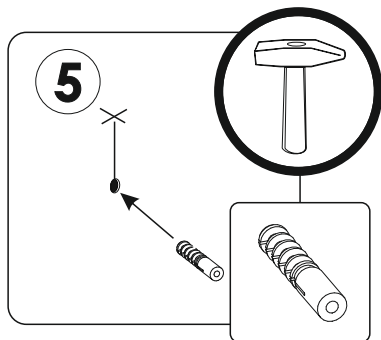
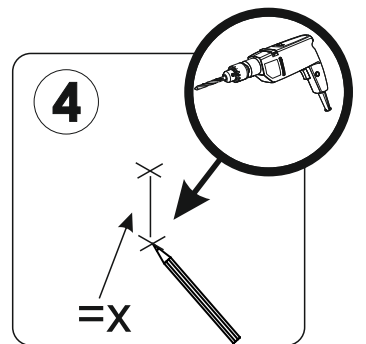
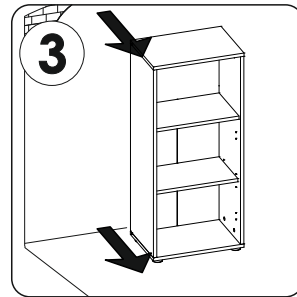
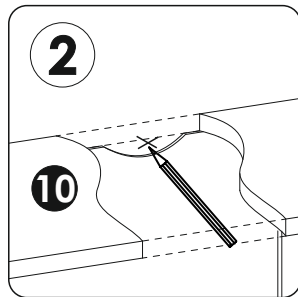
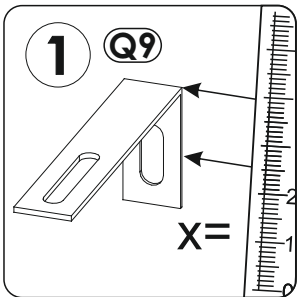
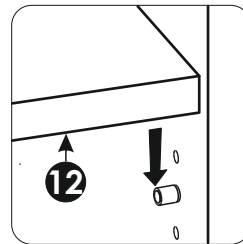
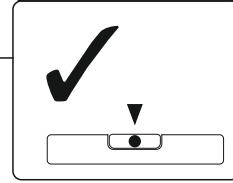
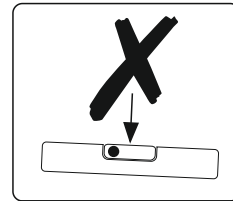
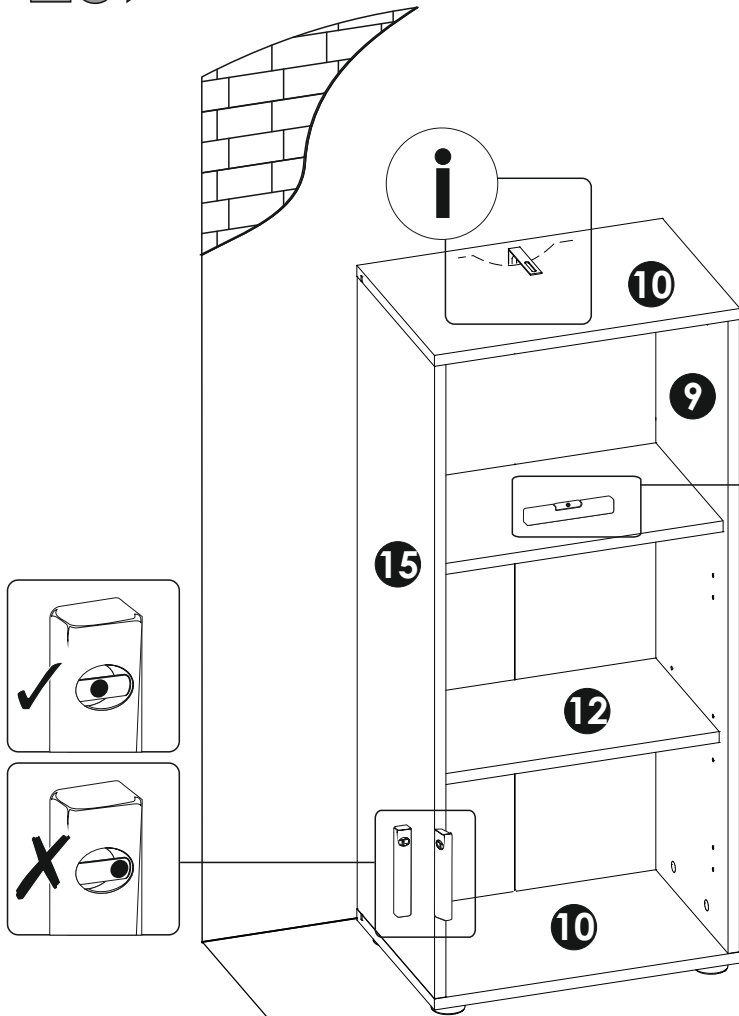
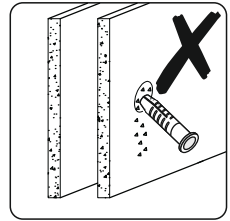
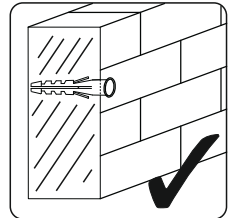
23▶



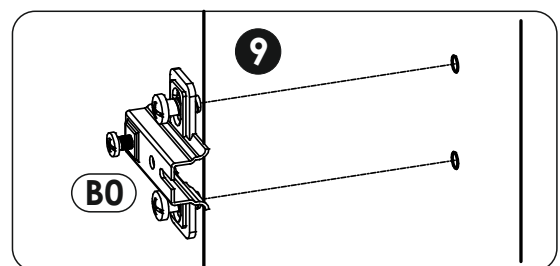
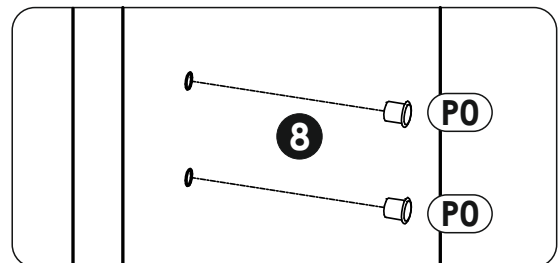
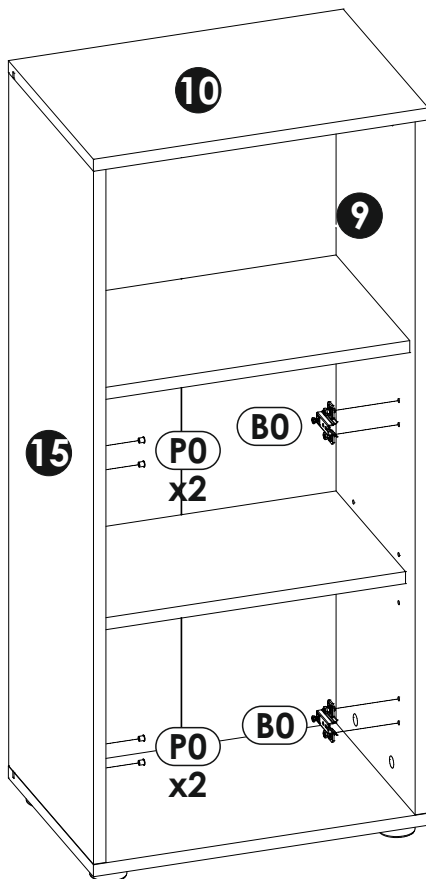
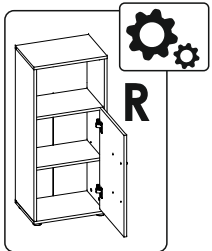
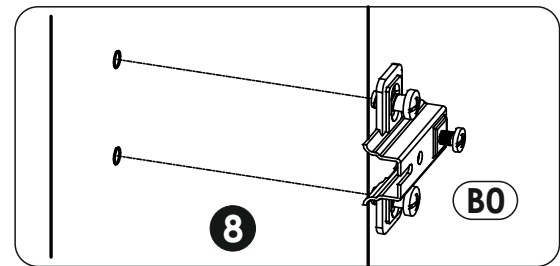
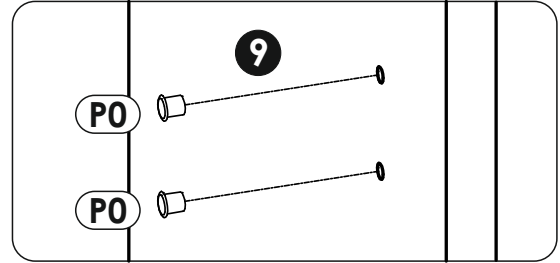
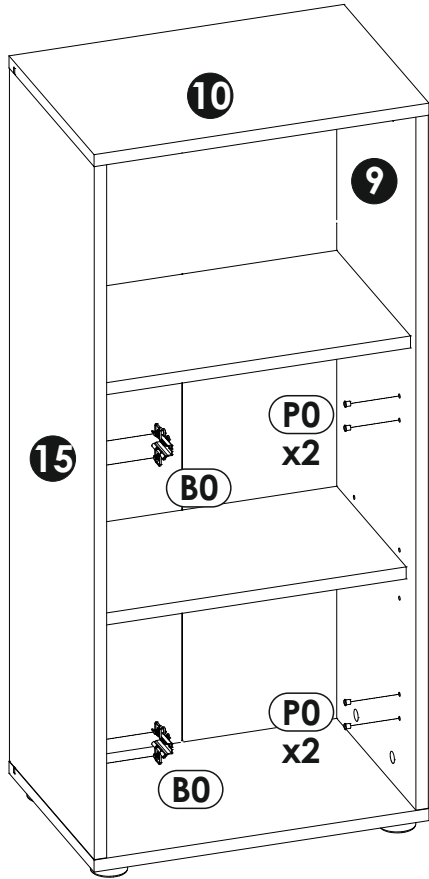
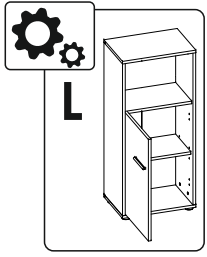
24▶



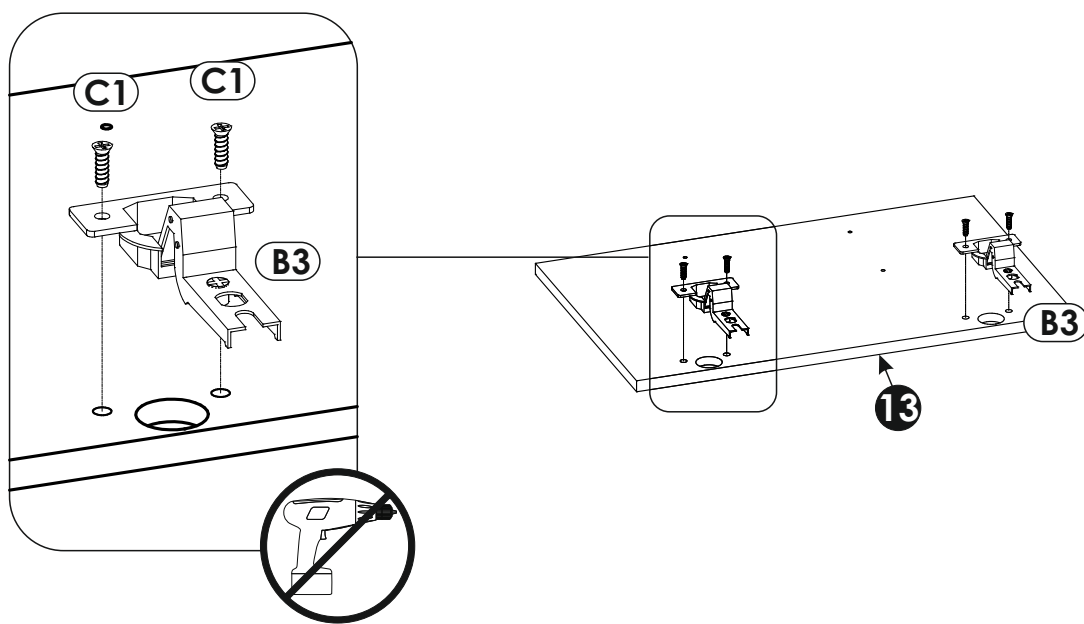
25 ▶



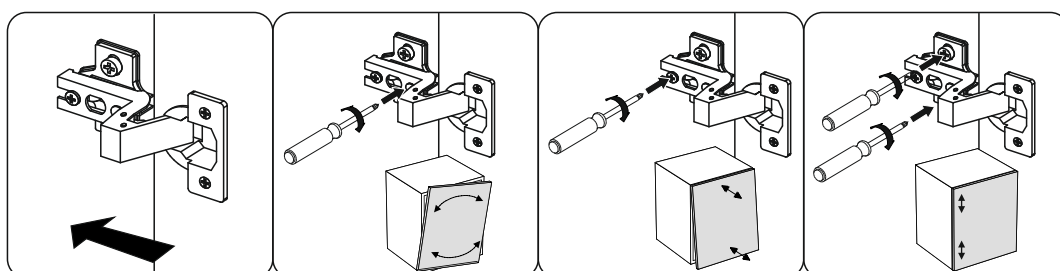
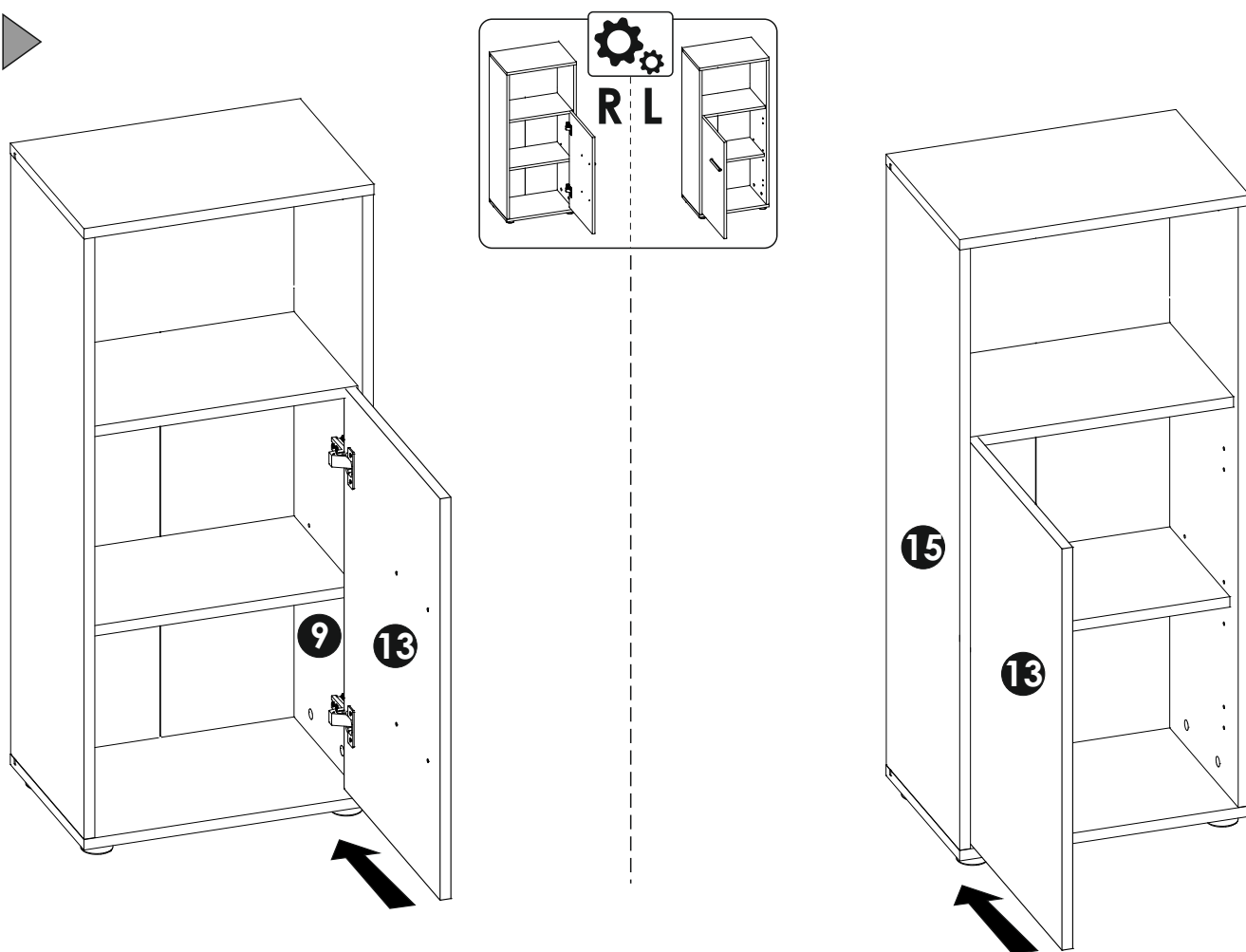
26 ▶

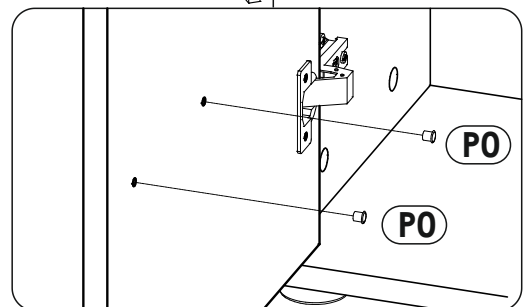
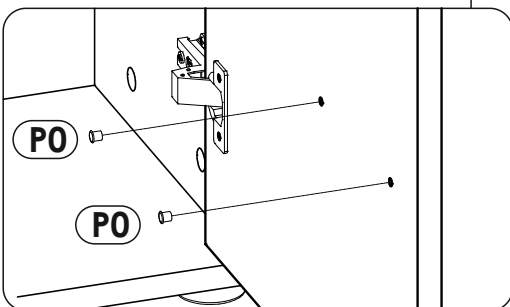
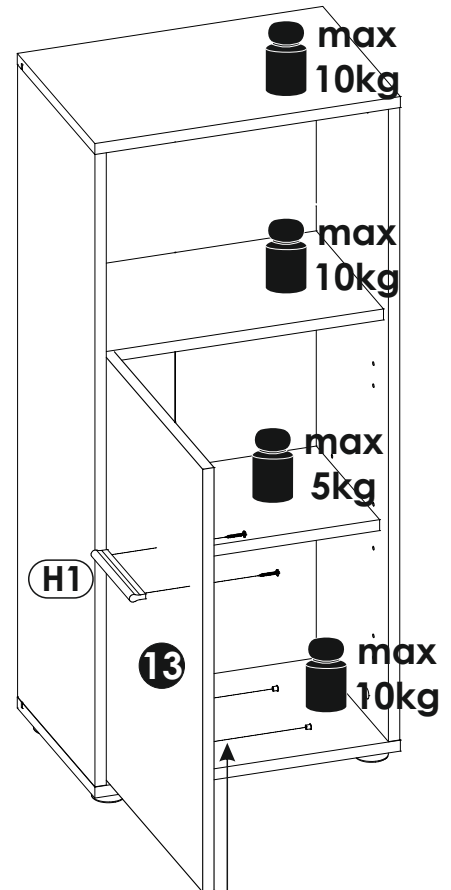
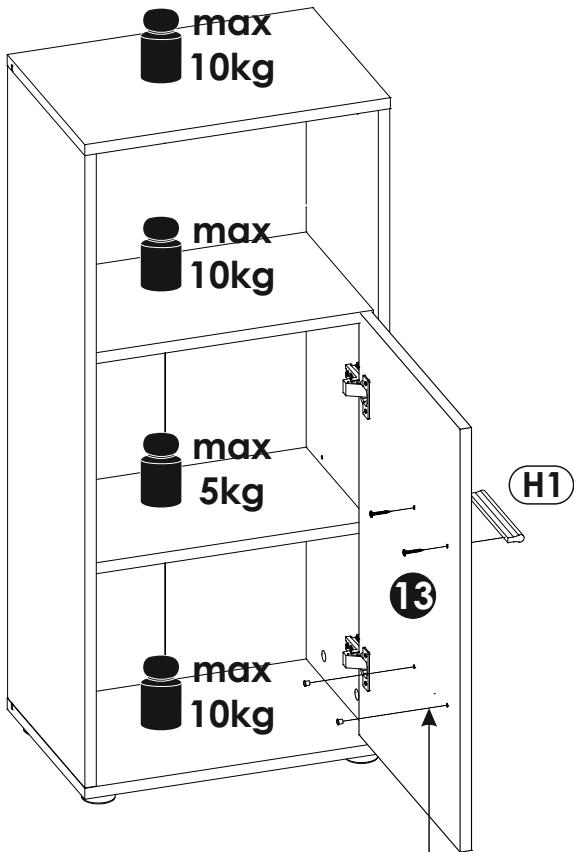
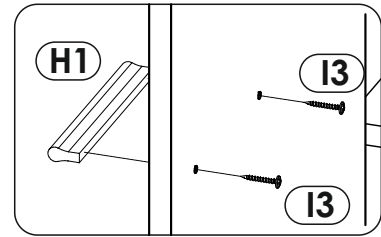
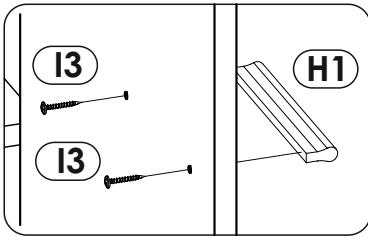
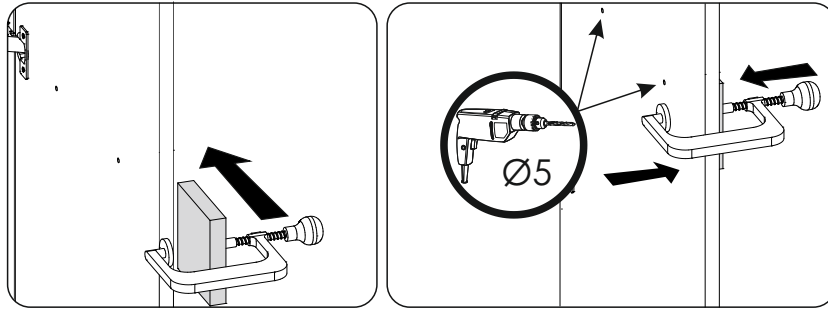
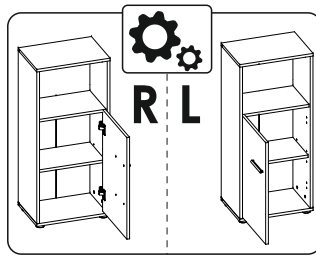


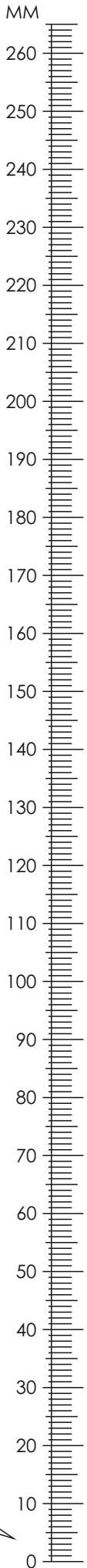
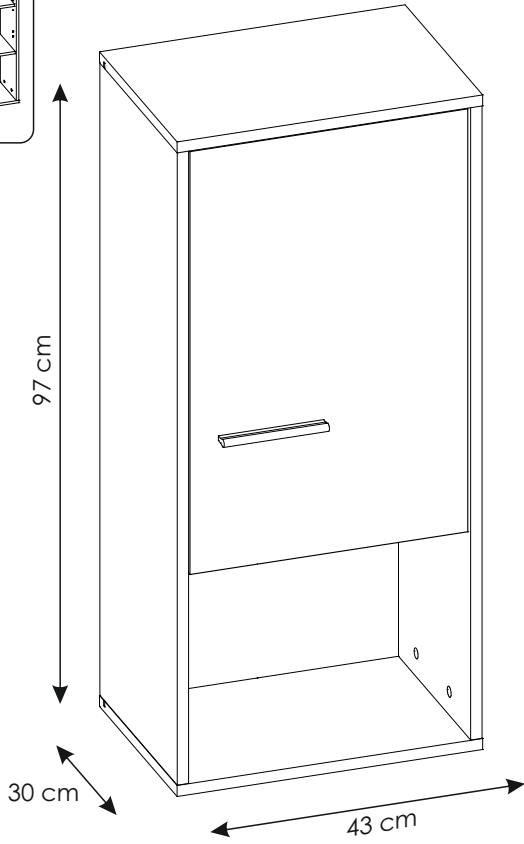
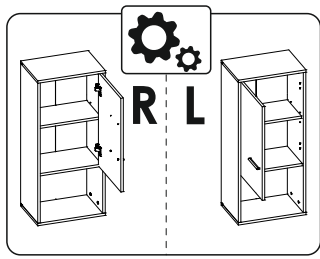
27▶



28▶

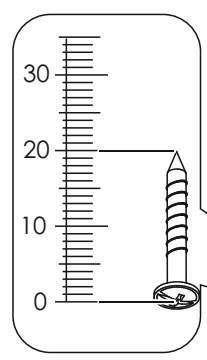


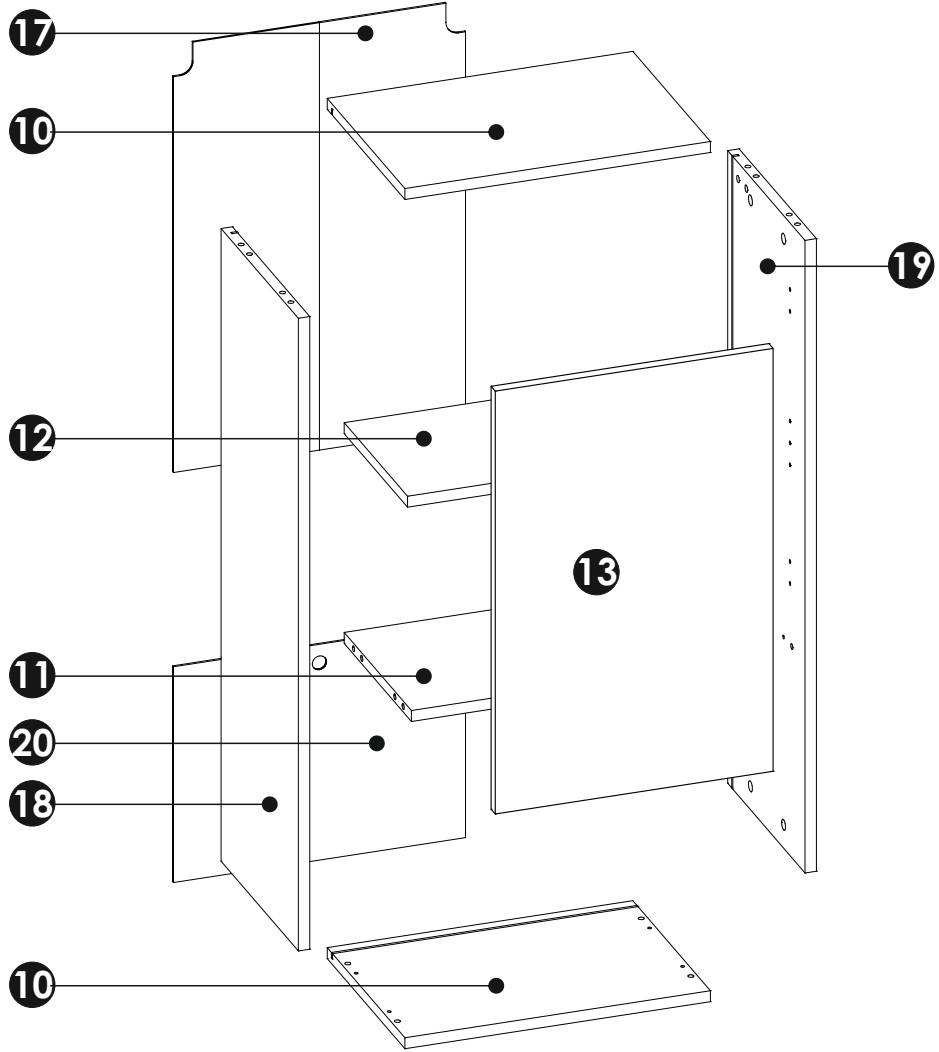
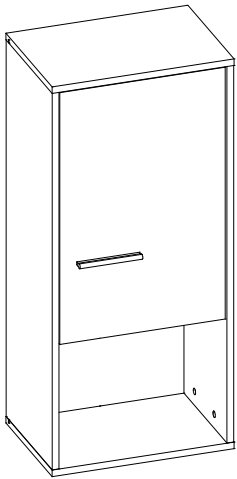




A1	8 x 35 mm	x12
B0		x2
B3		x2
C1	4 x 13 mm	x4
D2		x4
E0		x12

E1	15 x 12 mm	x12	F1	6 x 34 mm	x12	H1		x1
I3	3,5 x 27 mm	x2	N1	3 X 16 mm	x5	P0		x6
P15		x1	P8A	R L	x1			
R1		x2	R4		x6			

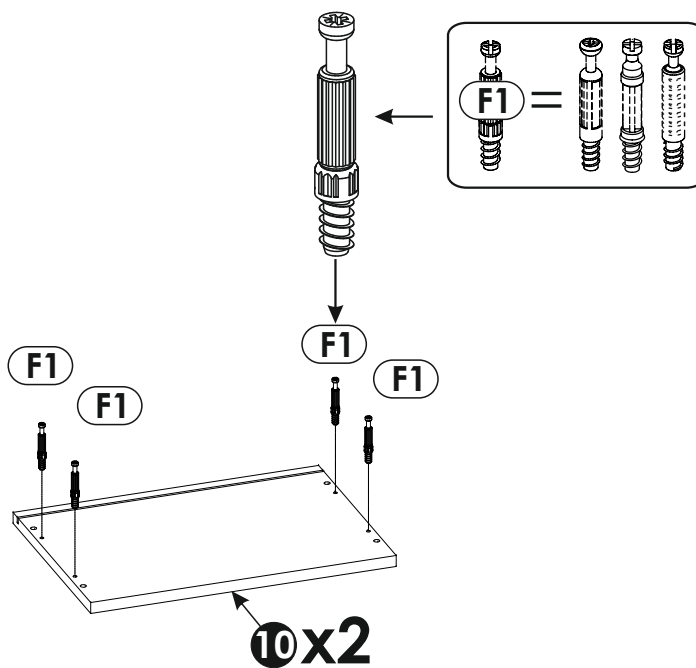




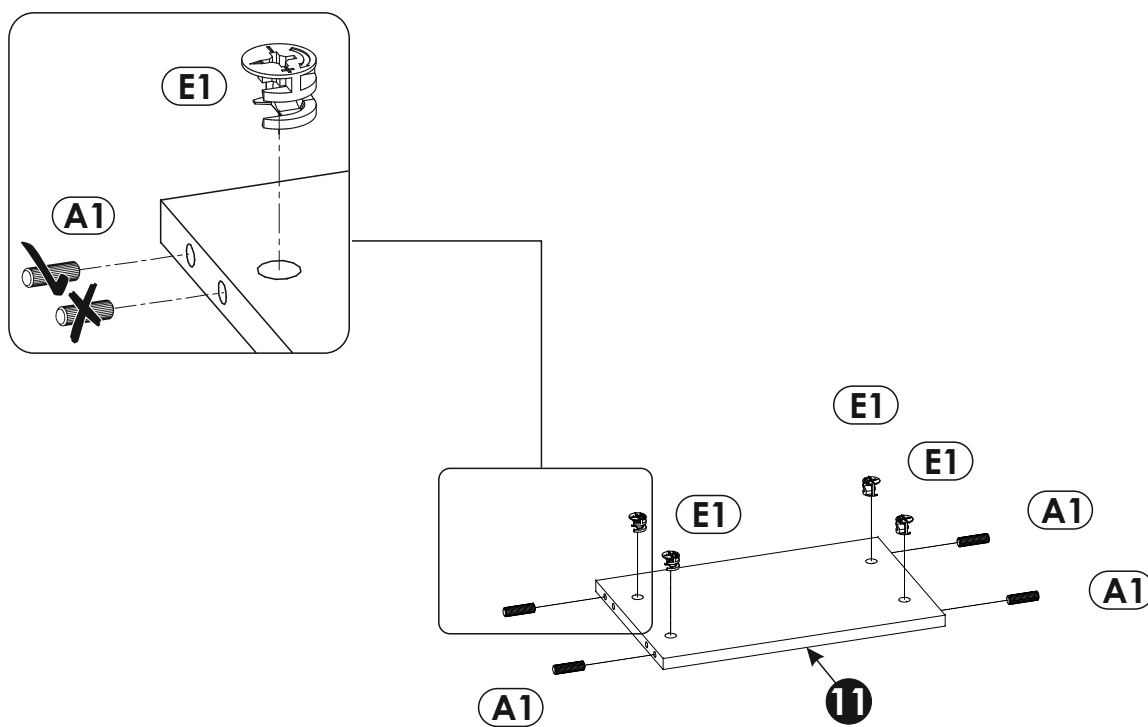
10	430	300	16	x2	1/2
11	397	260	16	x1	1/2
12	397	245	16	x1	1/2
13	617	391	16	x1	2/2

17	314	410	3	x1	1/2
18	923	299	16	x1	1/2
19	923	299	16	x1	1/2
20	622	410	3	x1	2/2

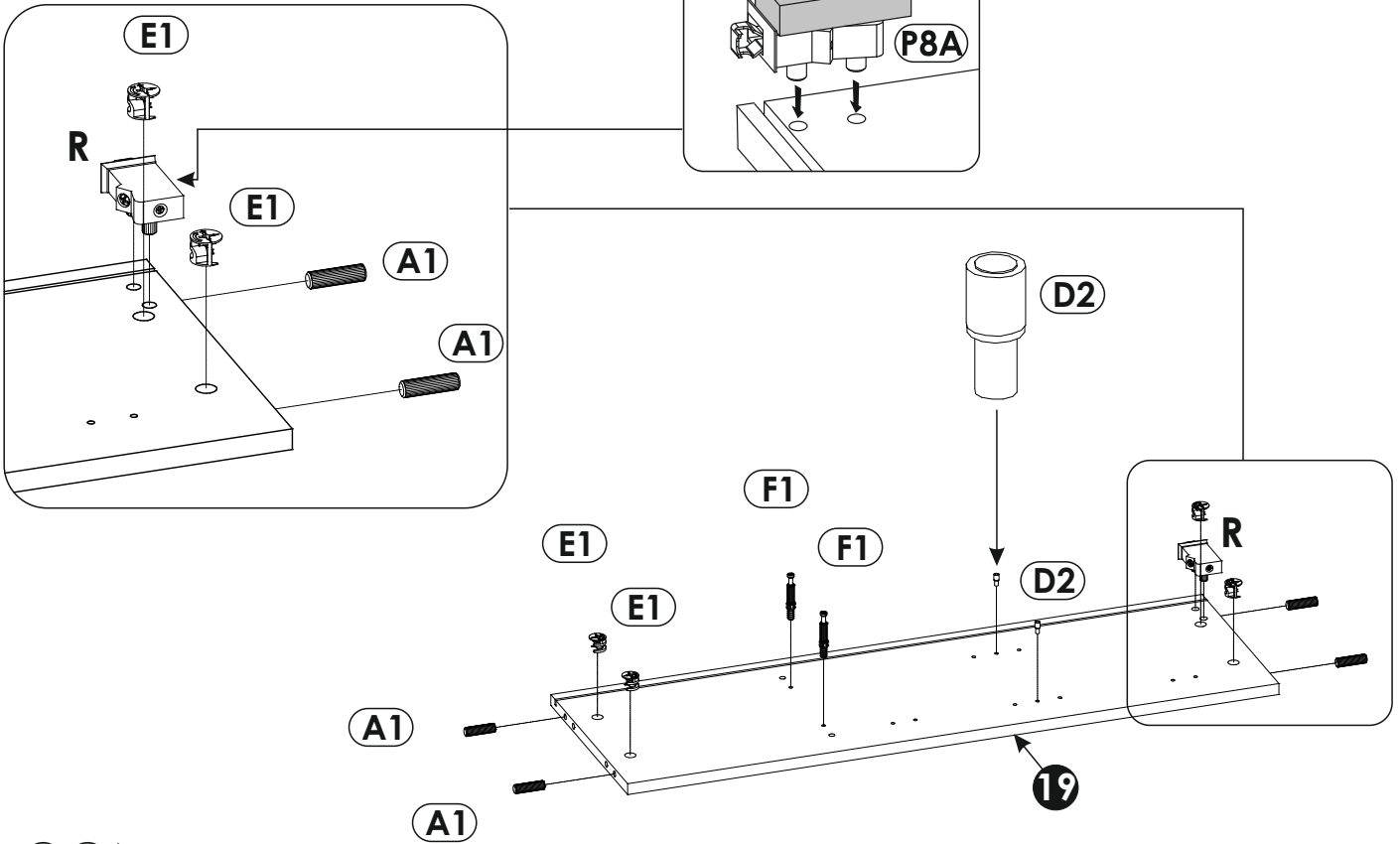
30 ▶



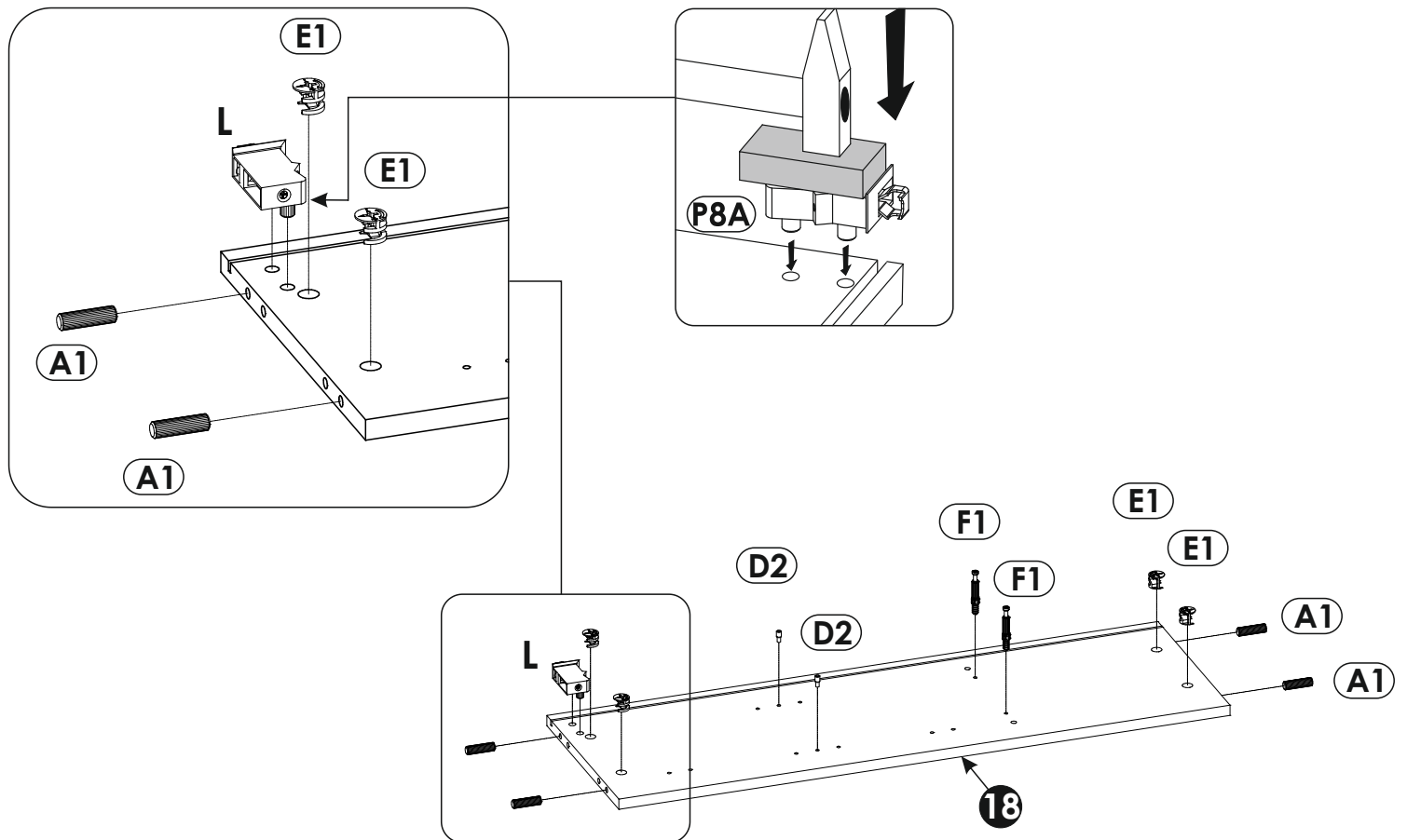
31 ▶



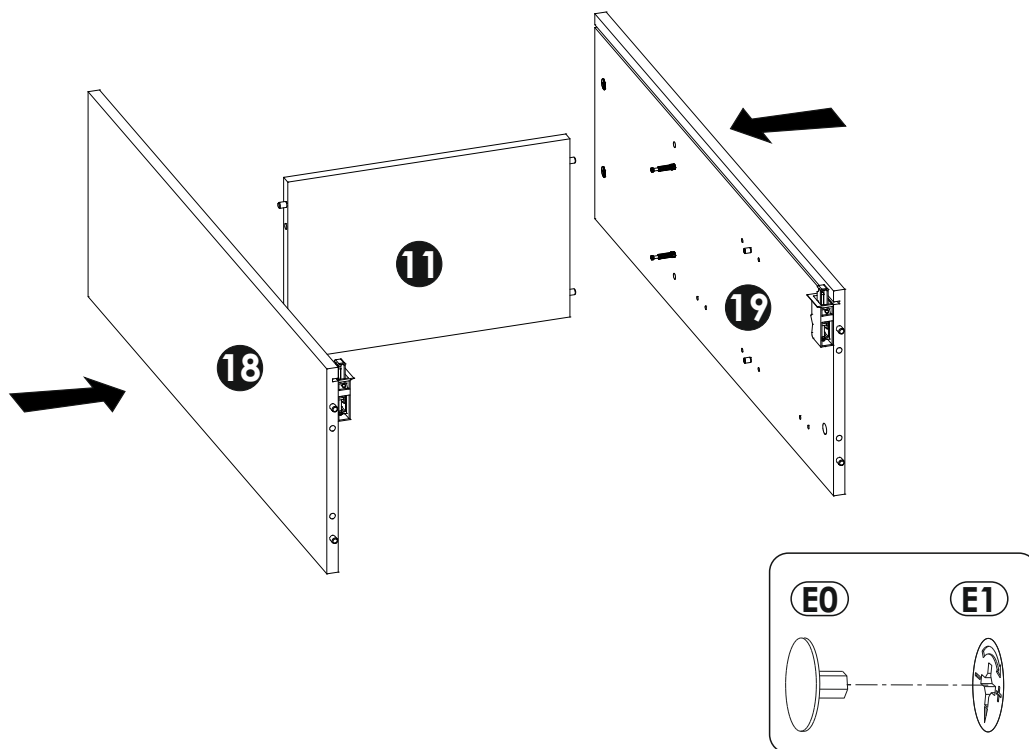
32 ▶



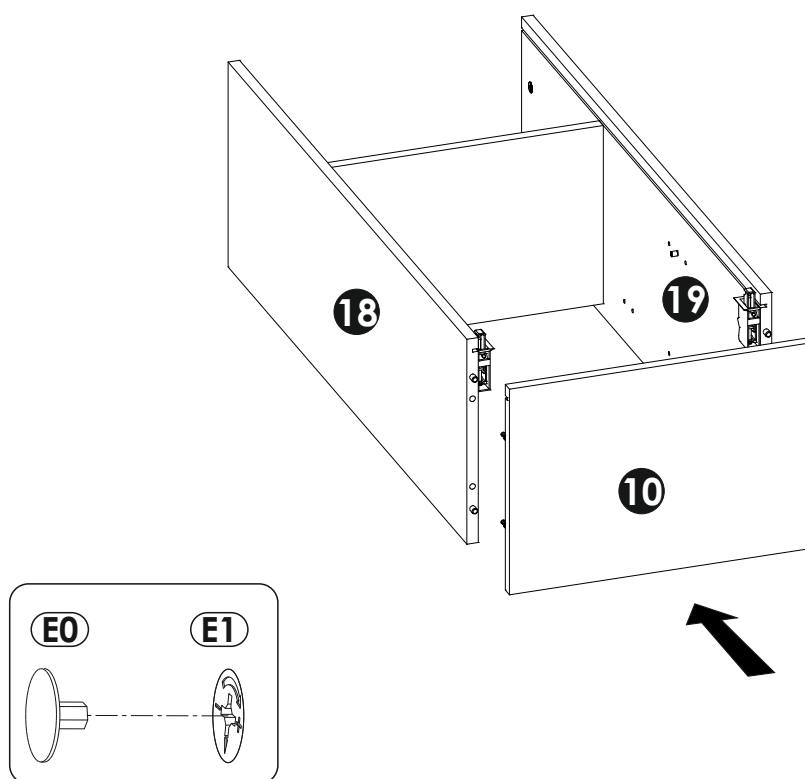
33 ▶



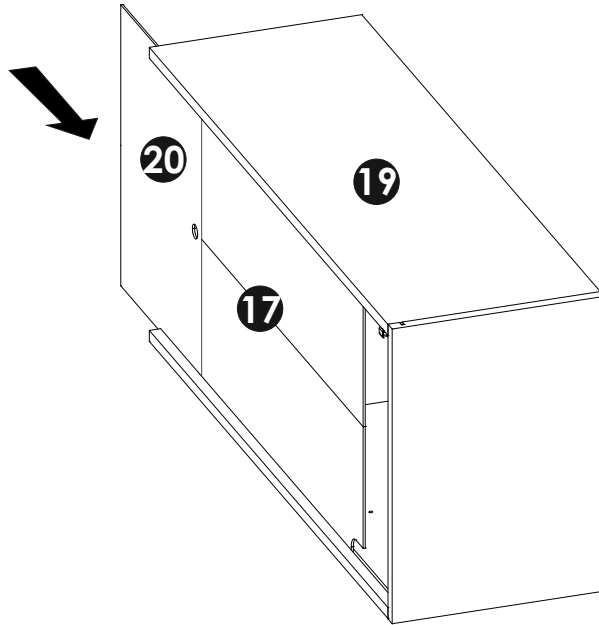
34▶



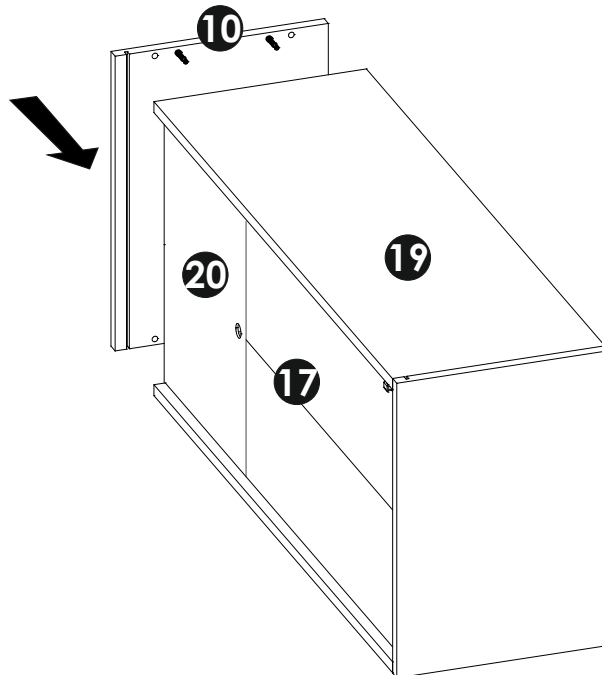
35▶



36 ▶

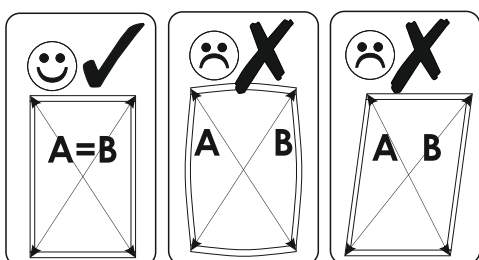
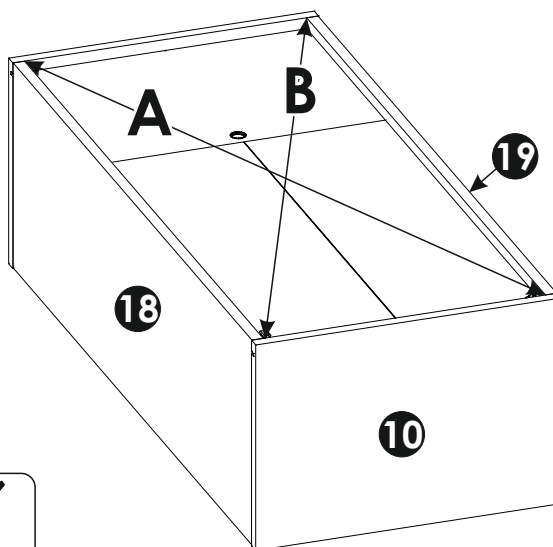


37 ▶

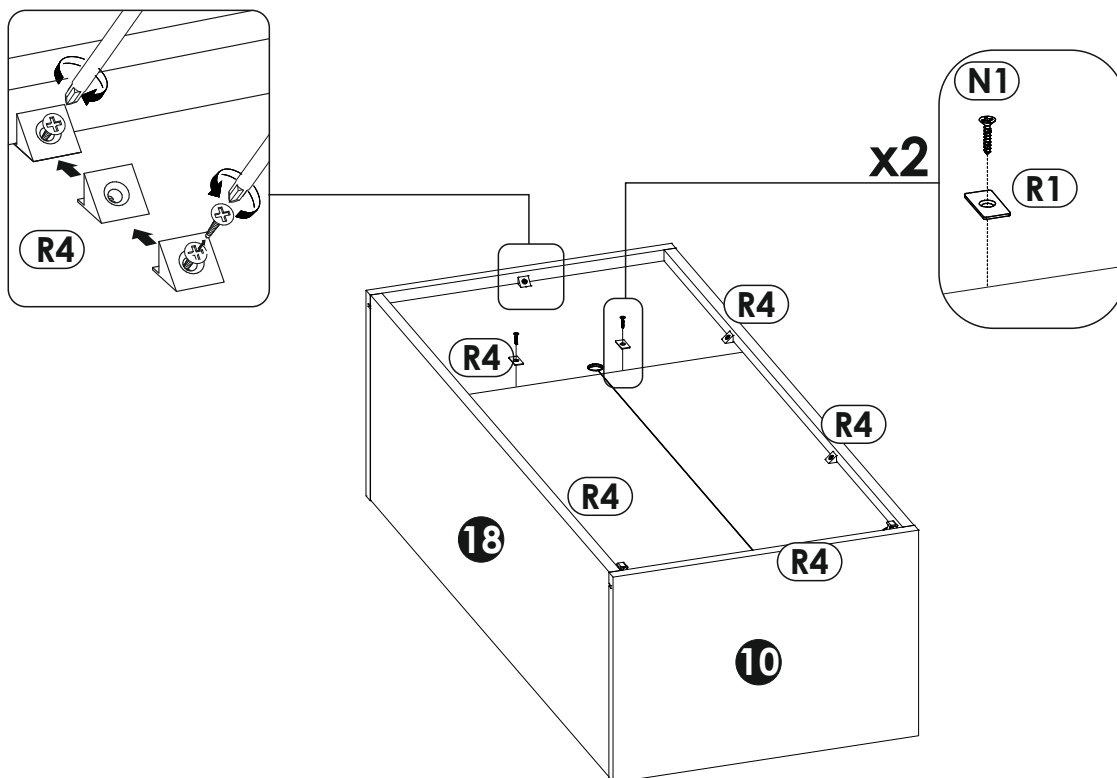


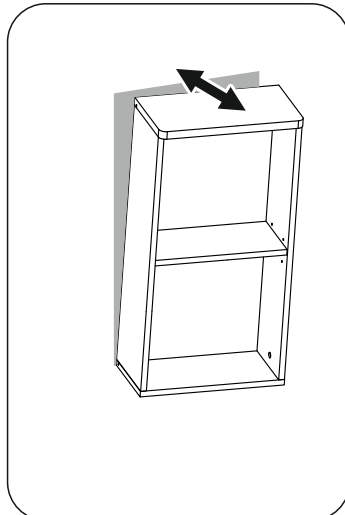
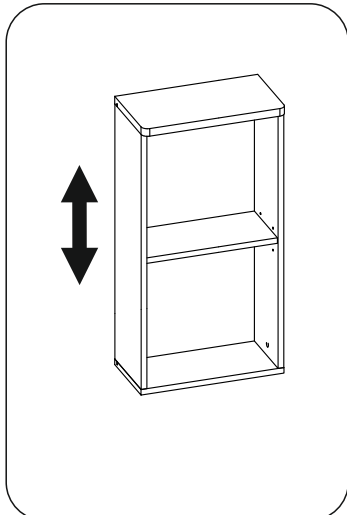
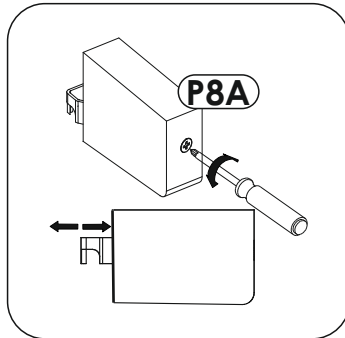
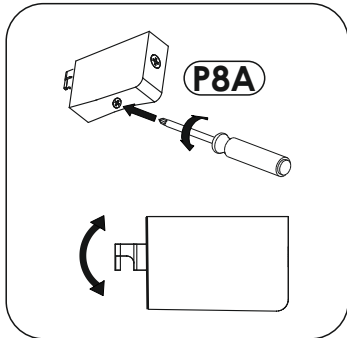
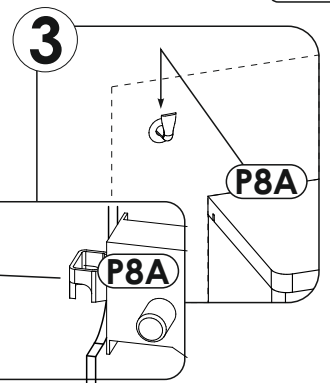
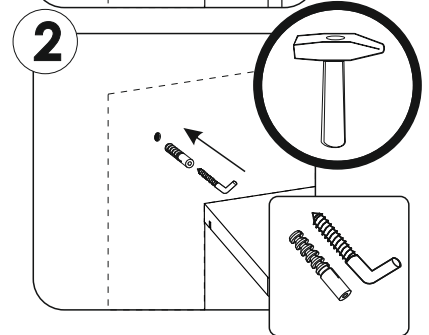
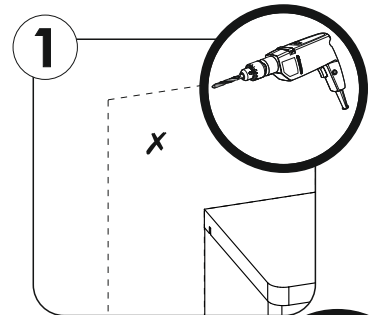
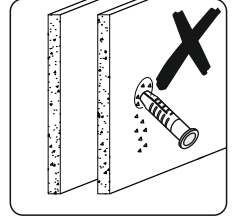
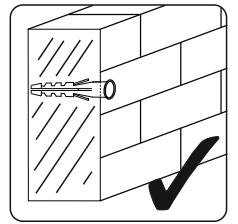
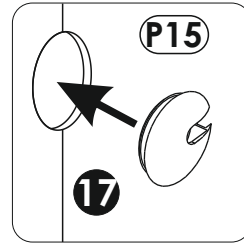
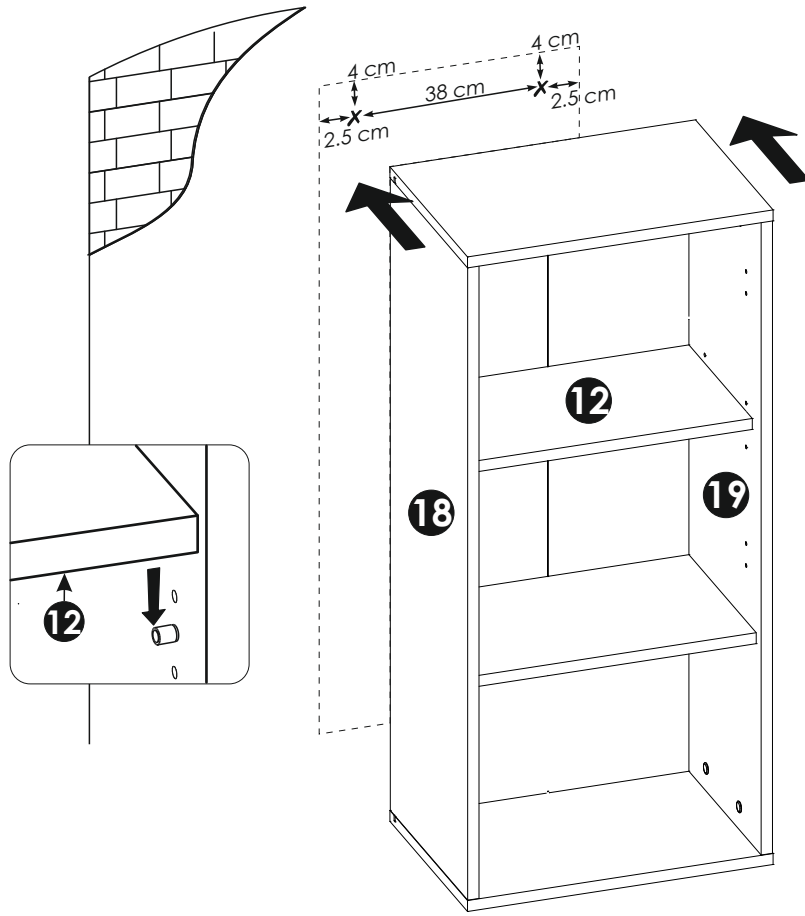
38 ▶

A=B

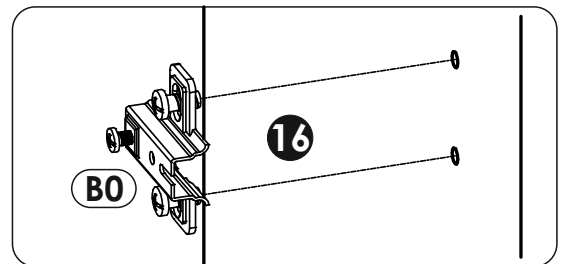
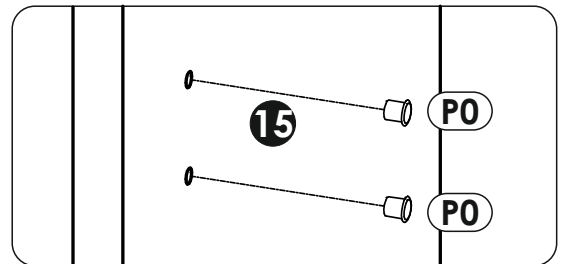
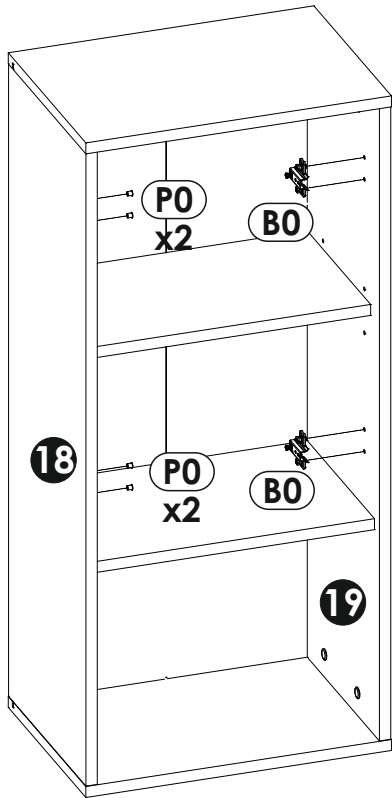
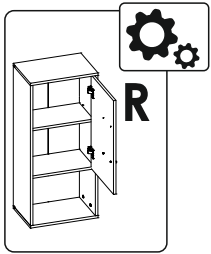
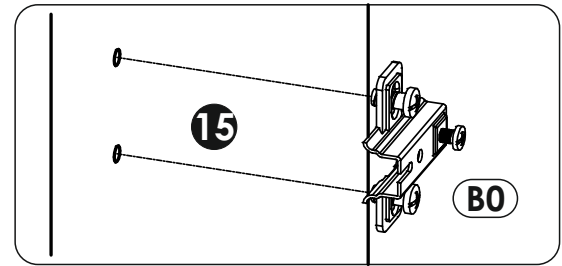
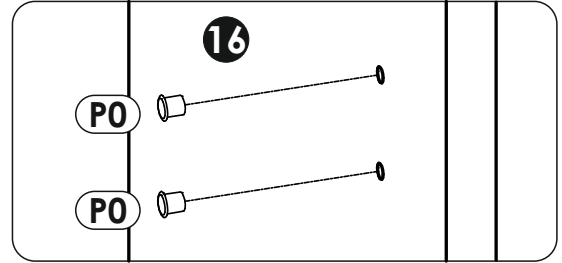
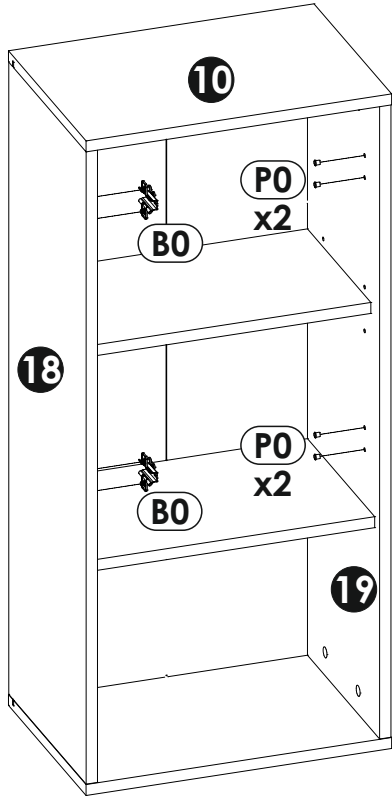
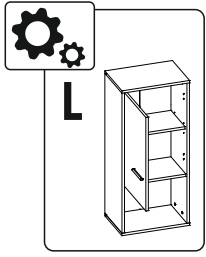


39 ▶

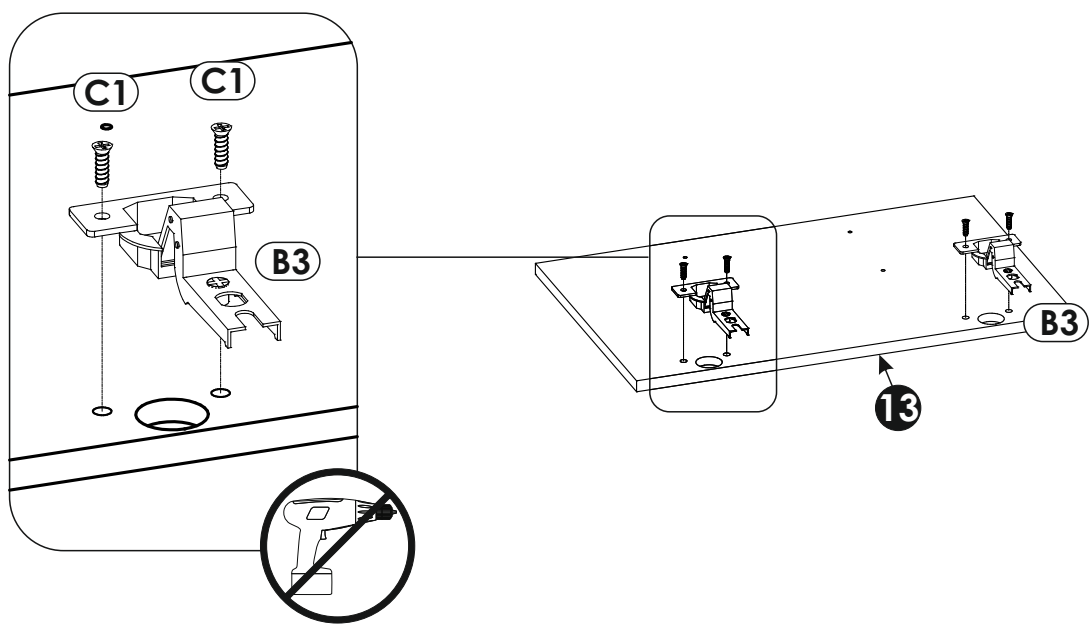




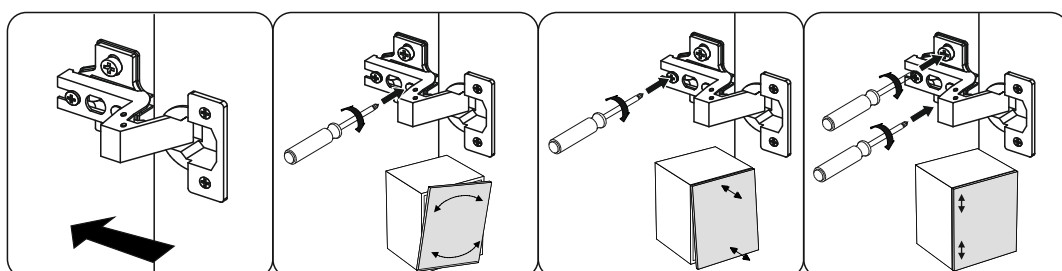
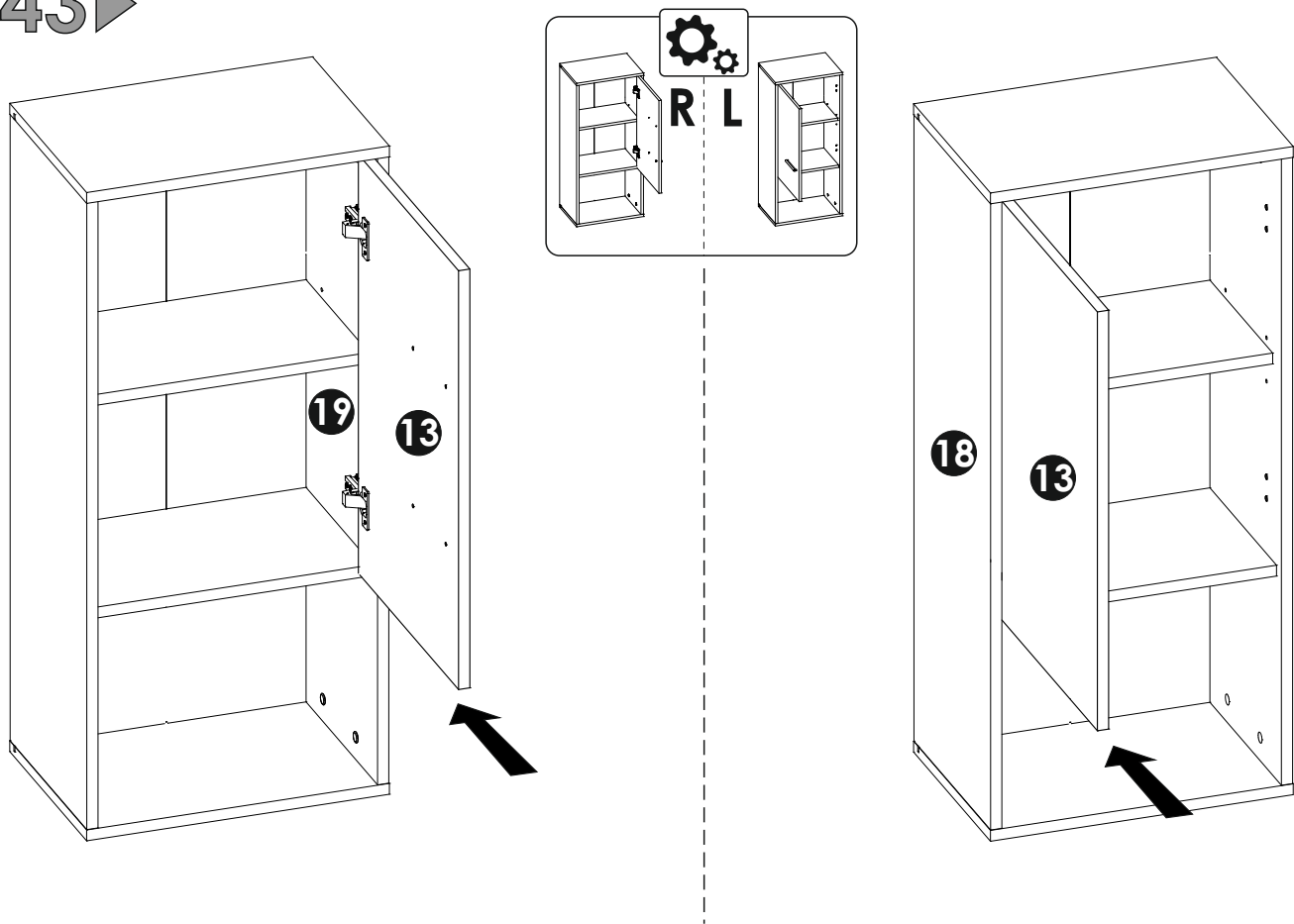
41 ▶

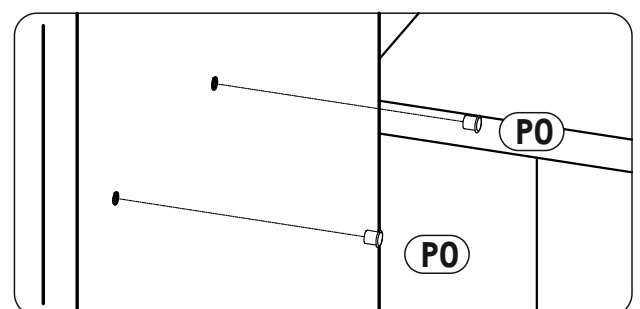
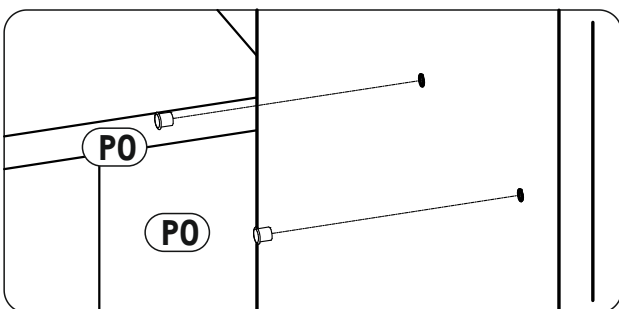
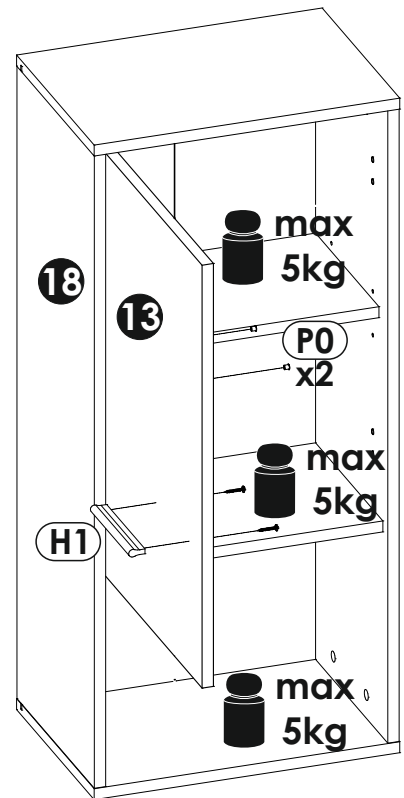
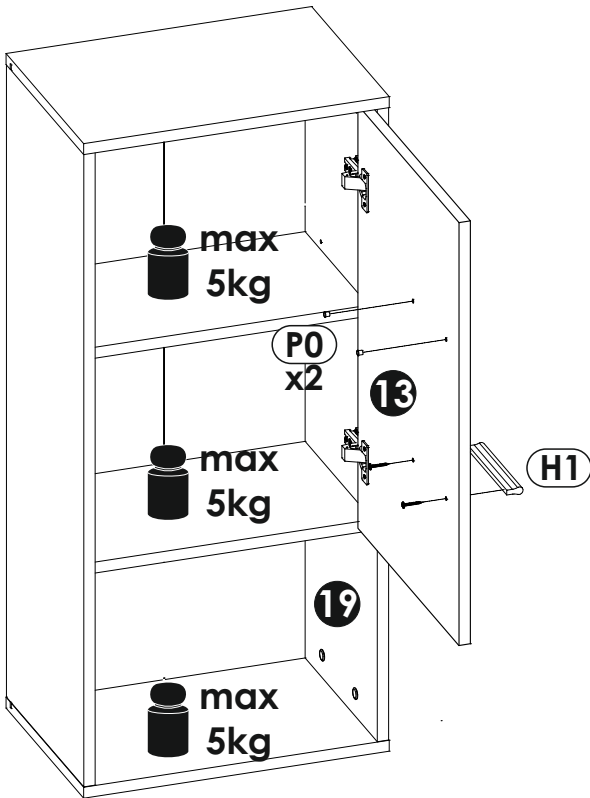
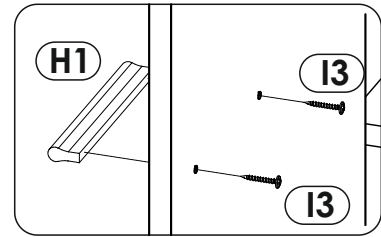
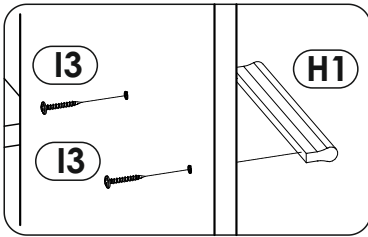
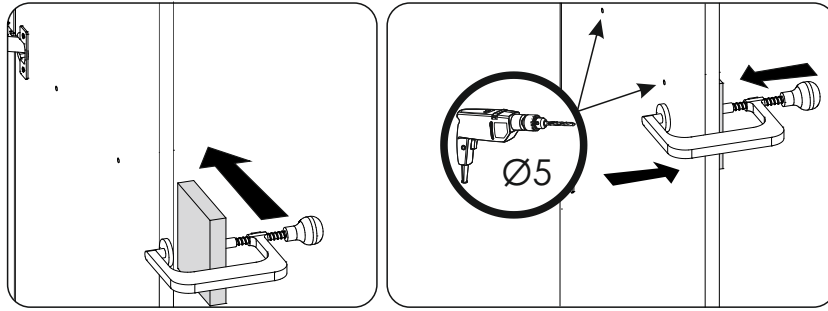
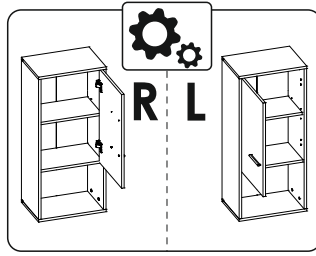


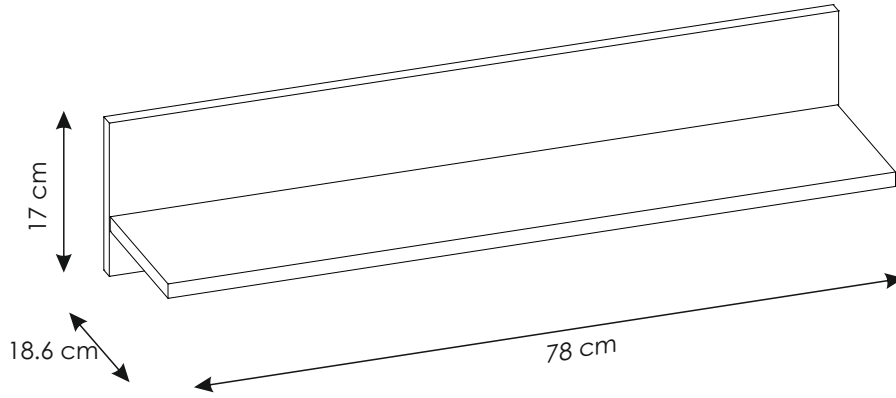
42 ▶



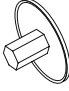
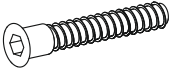




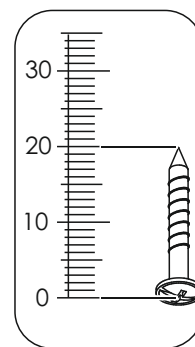
43 ▶







A1 8 x 35 mm  x4	C2 5 x 13 mm  x4	G0  x3
G2 7 x 60 mm  x3	P1  x2	R5  x2



MM

260

250

240

230

220

210

200

190

180

170

160

150

140

130

120

110

100

90

80

70

60

50

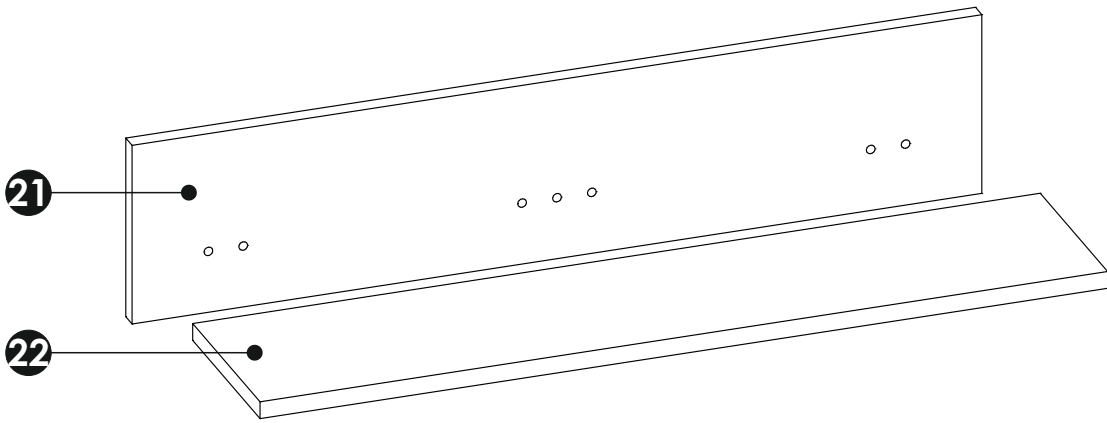
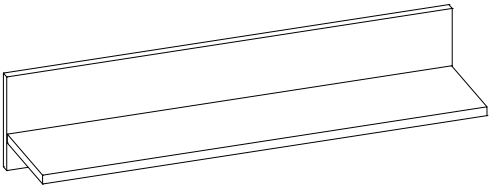
40

30

20

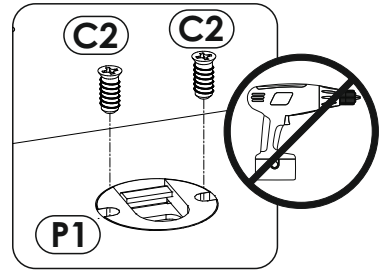
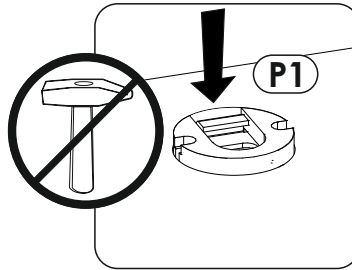
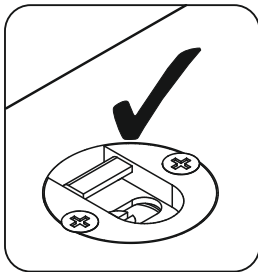
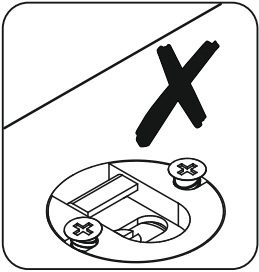
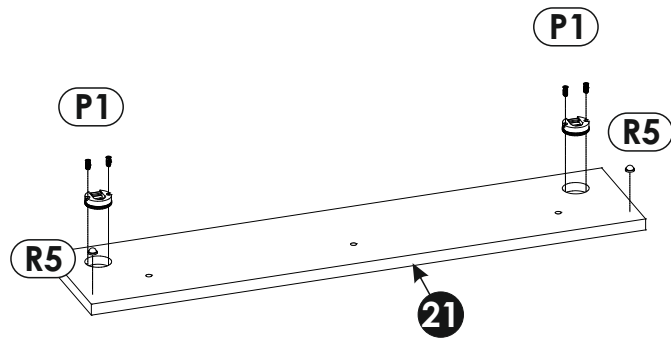
10

0

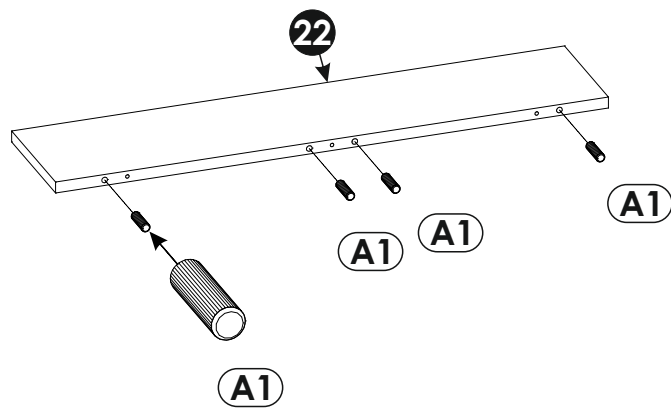


21	780	170	16	x1	2/2
22	778	170	16	x1	2/2

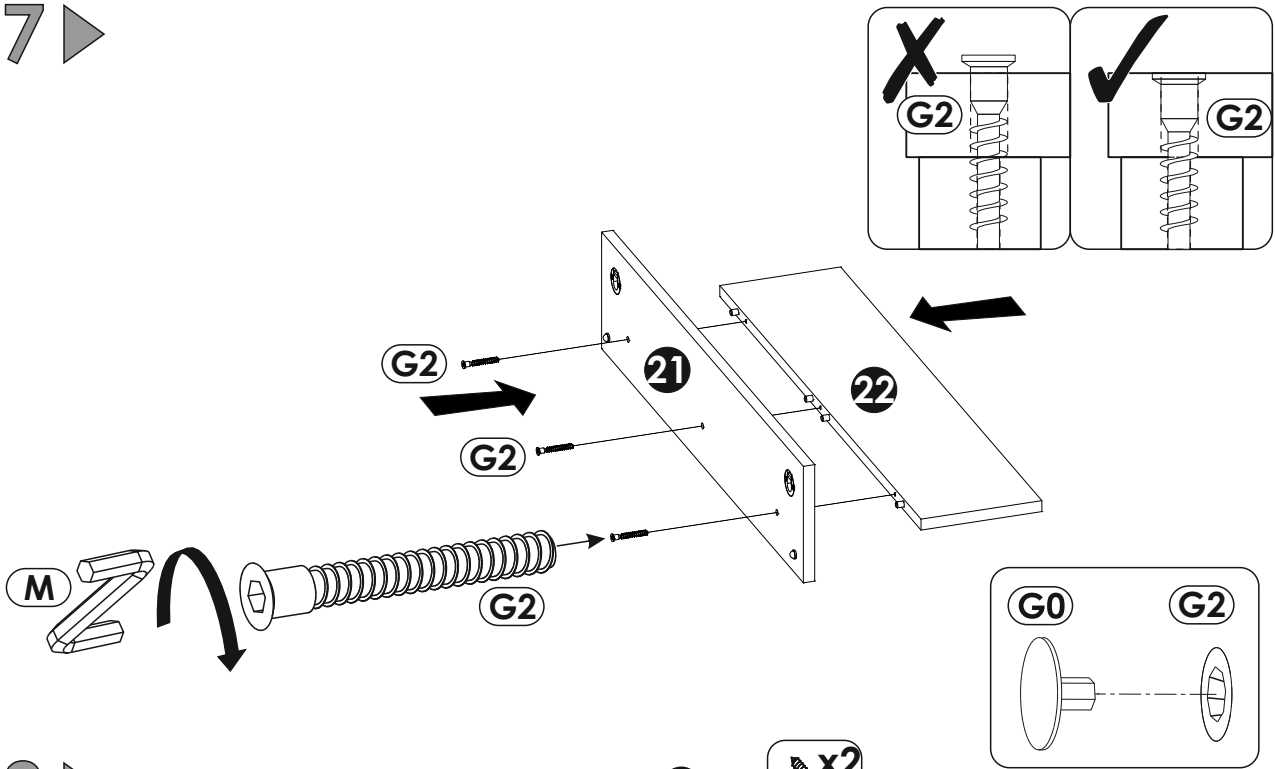
45 ▶



46 ▶



47 ▶



48 ▶

